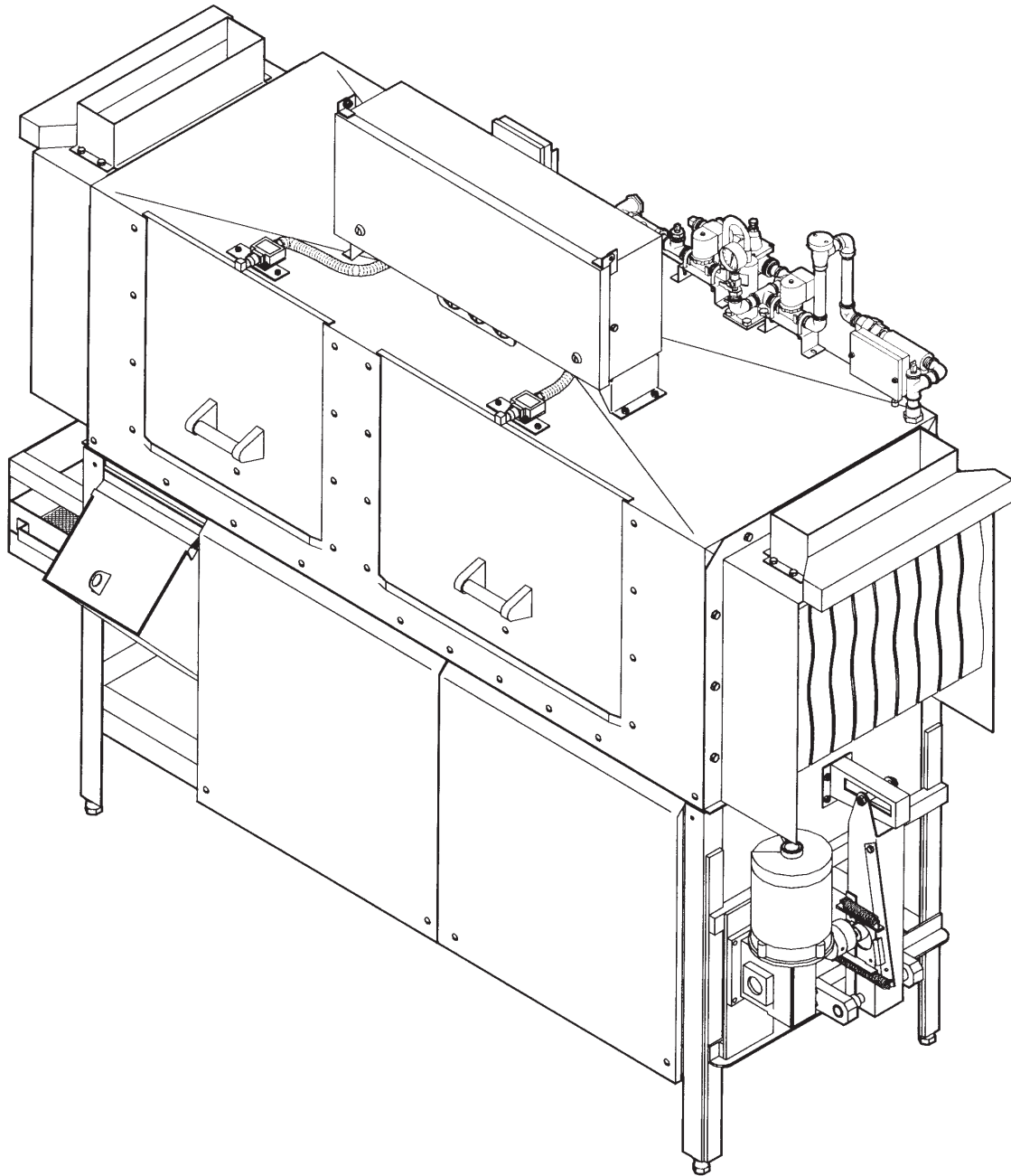


EFFECTIVE: MAY, 2011

American Dish Service

ADS CONVEYOR DISHWASHER
MODELS: ADC-66 L-R/R-L



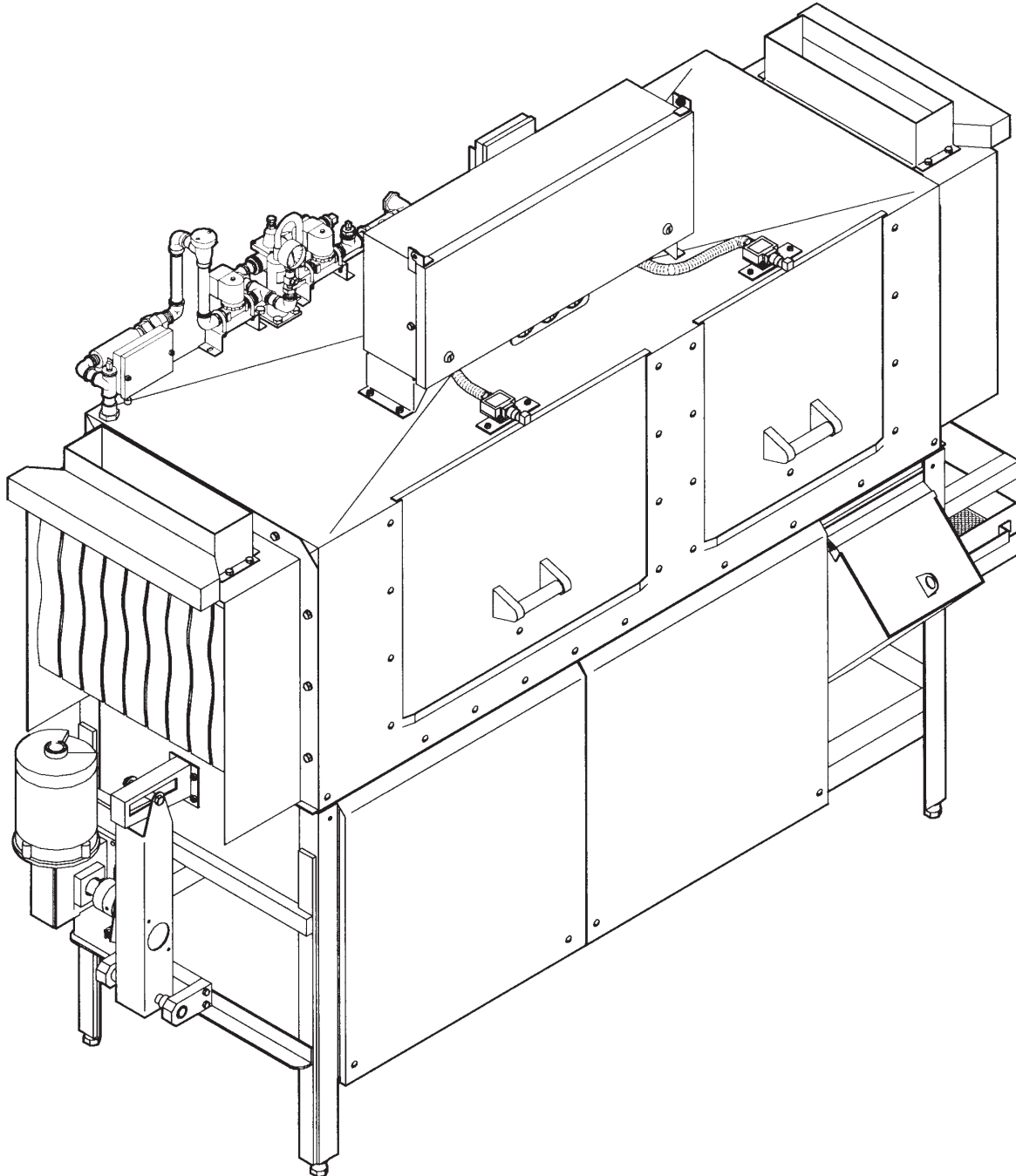
PARTS MANUAL

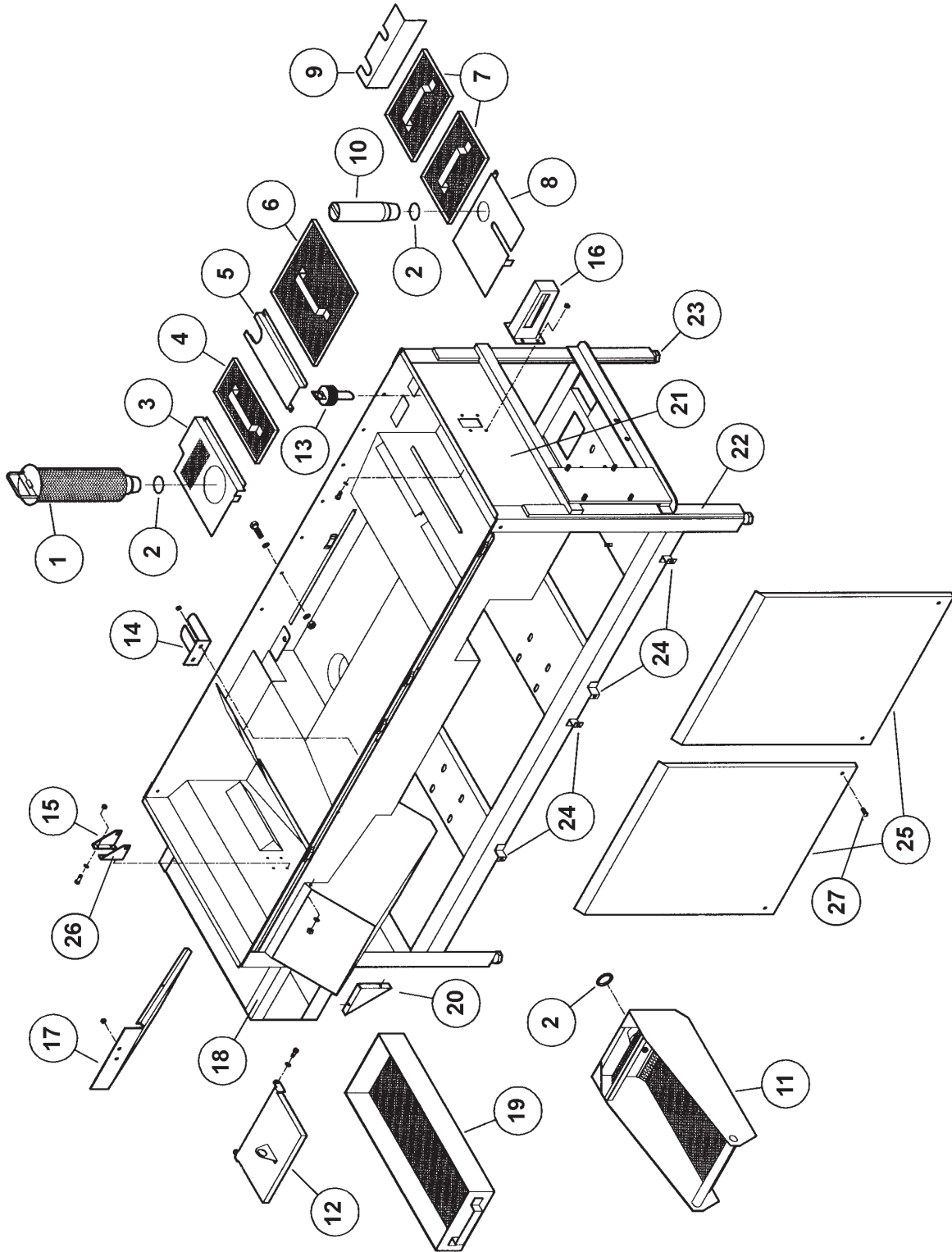
900 Blake Street
Edwardsville, Kansas 66111
(913)422-3700

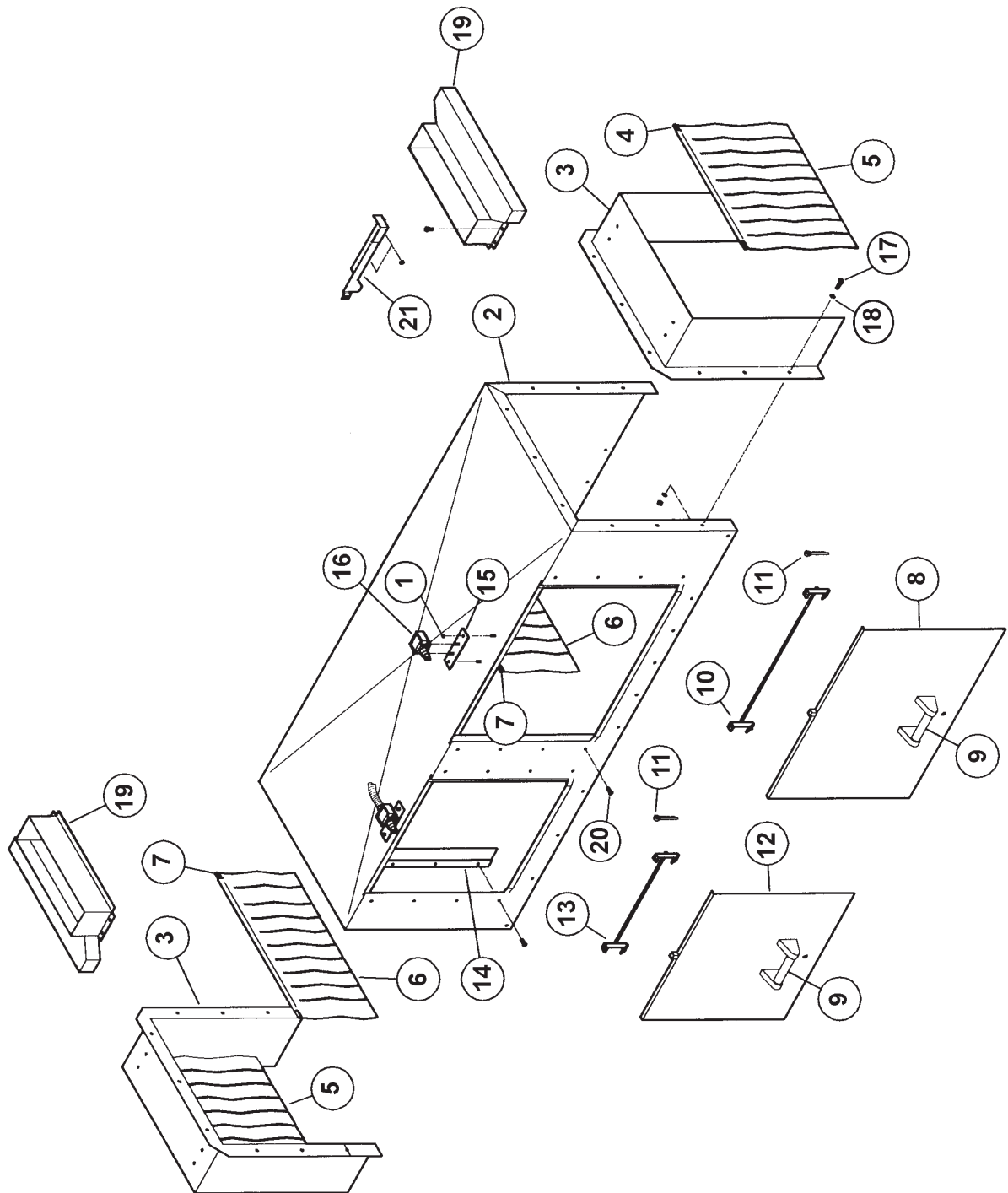
© 05/08

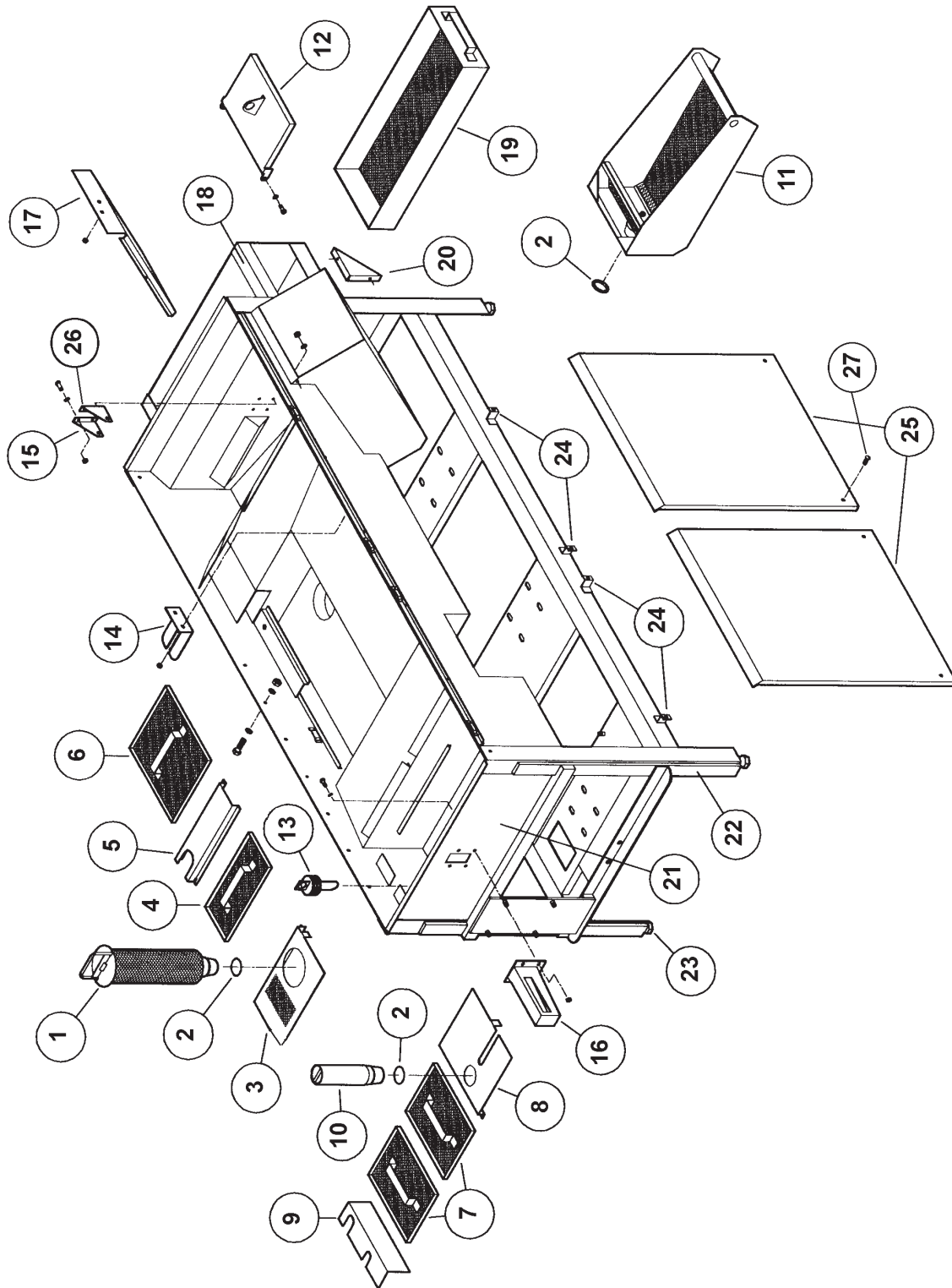
213-0066 L-R / 214-0066 R-L
ADC-66 Conveyor
Dishwasher

American Dish Service





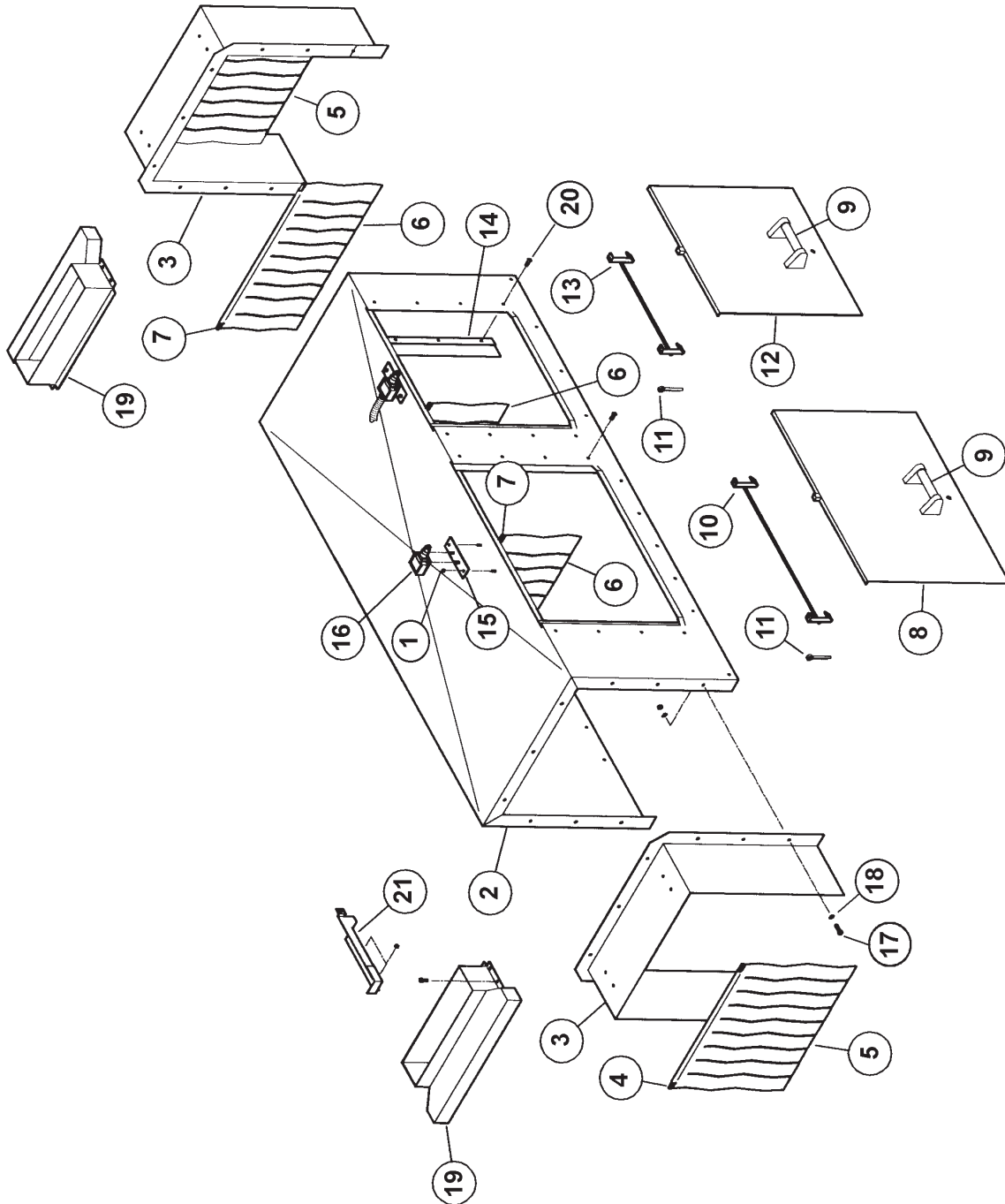




261-0400
Cabinet Assembly
ADC-66 R-L

American Dish Service

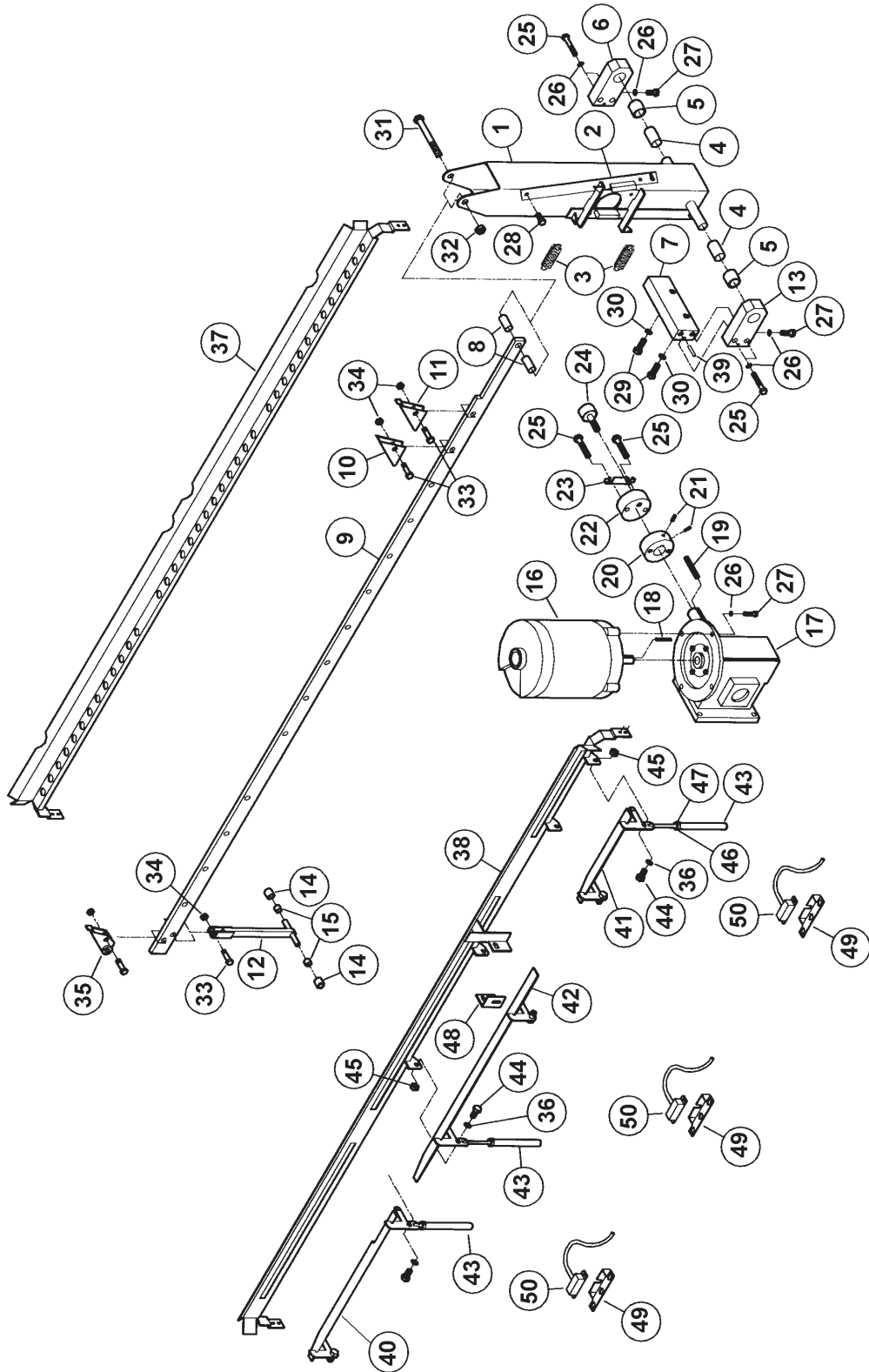
Ref. No.	Part No.	No. Req.	Description
1	285-6174	1	Filter Weldment, Wash Pump, w/Taper
N/S	281-6211	Rep.	Filter w/O-Ring, Wash Pump
2	289-6611	3	Gasket, O-Ring, Pre-Wash, Wash, and Rinse Taper
3	286-6174	1	Plate, Wash Pump Filter, R-L
4	285-6122	1	Screen Weldment, Wash, Small
5	286-6179	1	Cover, Wash Manifold
6	285-6121	1	Screen Weldment, Wash R-L, Large
7	285-6123	2	Screen Weldment, Rinse Tank
8	286-6176	1	Plate, Rinse Stand Tube, R-L
9	285-6126	1	Cover Weldment, Rinse Float, R-L
10	285-6172	1	Plug Weldment, Rinse Stand Tube
N/S	281-6210	Rep.	Drain Stand Tube w/O-Ring, Rinse Pump
11	285-6197	1	Pre-Wash Screen Basket
12	285-6215	1	Cover Weldment, ADC-66, Pre-Wash Screen Basket
13	285-6162	1	Filter Screen Weldment, Rinse Pump
14	286-6182	1	Guard, Wash Magnet
15	285-6217	1	Bushing Mount Weldment, RH, ADC-66, Idler Arm
16	285-6119	1	Drip Chute Weldment
17	287-6161	1	Baffle, Pre-Wash Tank
18	289-9126	1	Scrap Trap, R-L
19	289-9109	1	Tray, Scrap Trap, Complete
20	289-9114	1	Support, Scrap Trap
21	285-6203	1	Pan Weldment, ADC-66, R-L
22	285-6228	1	Frame Weldment, ADC-66, R-L
23	099-1024	4	Bullet Feet
24	285-6151	4	Front Panel Mount Weldment, Lower
25	285-6201	2	Panel Weldment, Front
26	285-6216	1	Bushing Mount Weldment, LH, ADC-66, Idler Arm
27	098-1414	4	Bolt, 1/4-20 x 1/2", TH, SS
N/S	285-6220	1	Cover, ADC-66, R-L, Pre-Wash Transfer Chute



261-0400
Cabinet Assembly
ADC-66 R-L

American Dish Service

Ref. No.	Part No.	No. Req.	Description
1	098-2507	46	Locknut, 1/4-20, SS
2	285-6200	1	Hood Weldment, R-L
3	285-6115	2	Hood End Shield Weldment
4	284-6122	2	Curtain Rod, 5/16" x 20.5", SS
5	299-1001	2	Curtain, 21" Wide x 17" Tall
6	299-1002	3	Curtain, 23" Wide x 11" Tall
7	284-6121	3	Curtain Rod, 5/16" x 24", SS
8	285-6233	1	Door Weldment, ADC-66, Wash Tank
9	285-6139	2	Handle Weldment, Front Access Door
10	285-6125	1	Latch Weldment, Door
11	098-8008	4	Cotter Pin, 3/32" x 1", SS
12	285-6193	1	Pre-Wash Door Weldment
13	285-6205	1	Pre-Wash Door Latch Weldment
14	287-6123	4	Door Guide, SS
15	285-6103	2	Bracket, Door Cut-Off
16	099-4502	2	Switch, Door Cut-Off
17	098-1423	26	Bolt, 1/4-20 x 1/2", HH, SS
18	098-2404	46	Washer, 1/4", SS
19	285-6116	2	Vent Weldment, Hood End Shield
20	098-1414	16	Bolt, 1/4-20 x 1/2", TH, SS
21	285-6127	1	Duct Weldment, Inlet Water, R-L
N/S	287-6157	1	Brace, Pan Rear

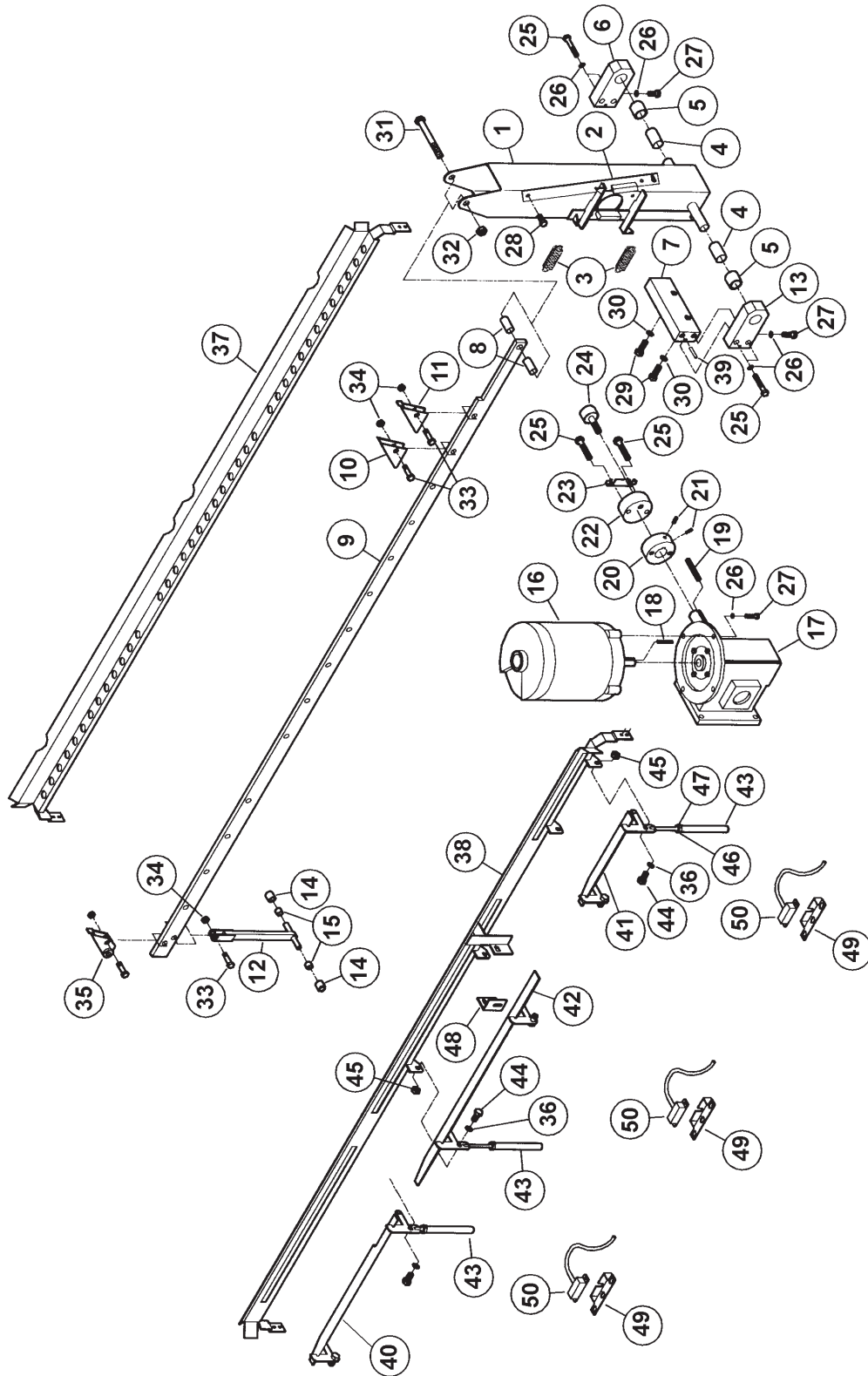


268-1000

Conveyor Drive & Tray Track
Control, ADC-66 L-R

American Dish Service

Ref. No.	Part No.	No. Req.	Description
1	285-6133	1	Rocker Arm Weldment
2	285-6134	2	Slip Clutch Bar Weldment
3	298-3001	2	Spring, Slip Clutch
4	284-6142	2	Spacer, Rocker Arm
5	298-4001	2	Bushing, 1" OD x 3/4" ID x 7/8" Lg
6	284-6141	1	Block, Pillow Bushing, RH
7	284-6139	1	Block, Base, Pillow Bushing
8	284-6149	2	Spacer, Conveyor Connecting Bolt
9	284-6202	1	Bar, Conveyor, ADC-66
10	285-6136	13	Dog Weldment, Conveyor
11	285-6137	2	Exit Dog Weldment, Conveyor
12	285-6135	1	Idler Arm Weldment
13	284-6140	1	Block, Pillow Bushing, LH
14	298-4002	2	Bushing, Idler Arm, 5/8" OD x 3/8" ID x 5/8" Lg
15	284-6143	2	Spacer, Idler Arm, 5/8" OD x 3/8" ID x 3/8" Lg
16	291-1003	1	Motor, 1/3 HP, 3 Ph
17	291-1004	1	Gear Box (53:1)
18	284-6201	1	Key, Conveyor Drive Motor
19	284-6137	1	Key, Cam Block
20	284-6134	1	Cam Block (A), Gear Box Side
21	098-1441	2	Set Screw, 1/4-20 x 1/2" Lg
22	284-6135	1	Cam Block (B), Cam Follower Side
23	286-6189	1	Bolt, Lock, Cam Follower
24	281-6201	1	Bearing, Cam Follower
25	098-1611	6	Bolt, 3/8-16 x 2", HH, SS
26	098-2710	10	Lockwasher, 3/8", SS
27	098-1614	6	Bolt, 3/8" x 1", HH, SS
28	098-1506	2	Bolt, 5/16-18 x 3/4", HH, SS
29	098-1802	2	Bolt, 1/2-13 x 1 1/4", HH, SS
30	098-2802	2	Lockwasher, 1/2", SS
31	098-1801	1	Bolt, 1/2-13 x 4", HH, SS
32	098-2801	1	Locknut, 1/2-13, SS
33	098-1612	17	Bolt, 3/8-16 x 1 1/8" w/ 3/4" Shoulder, HH, SS
34	098-2708	17	Locknut, 3/8-16, SS
35	285-6212	1	Dog Weldment, ADC-66
36	098-2404	18	Washer, 1/4", SS
37	285-6225	1	Tray Track Weldment, ADC-66, L-R, Rear
38	285-6224	1	Tray Track Weldment, ADC-66, L-R, Front
39	098-8009	2	Dowel Pin, 3/16" x 1" Lg, SS
40	285-6214	1	Sequence Bar Weldment, ADC-66, L-R, Pre-Wash

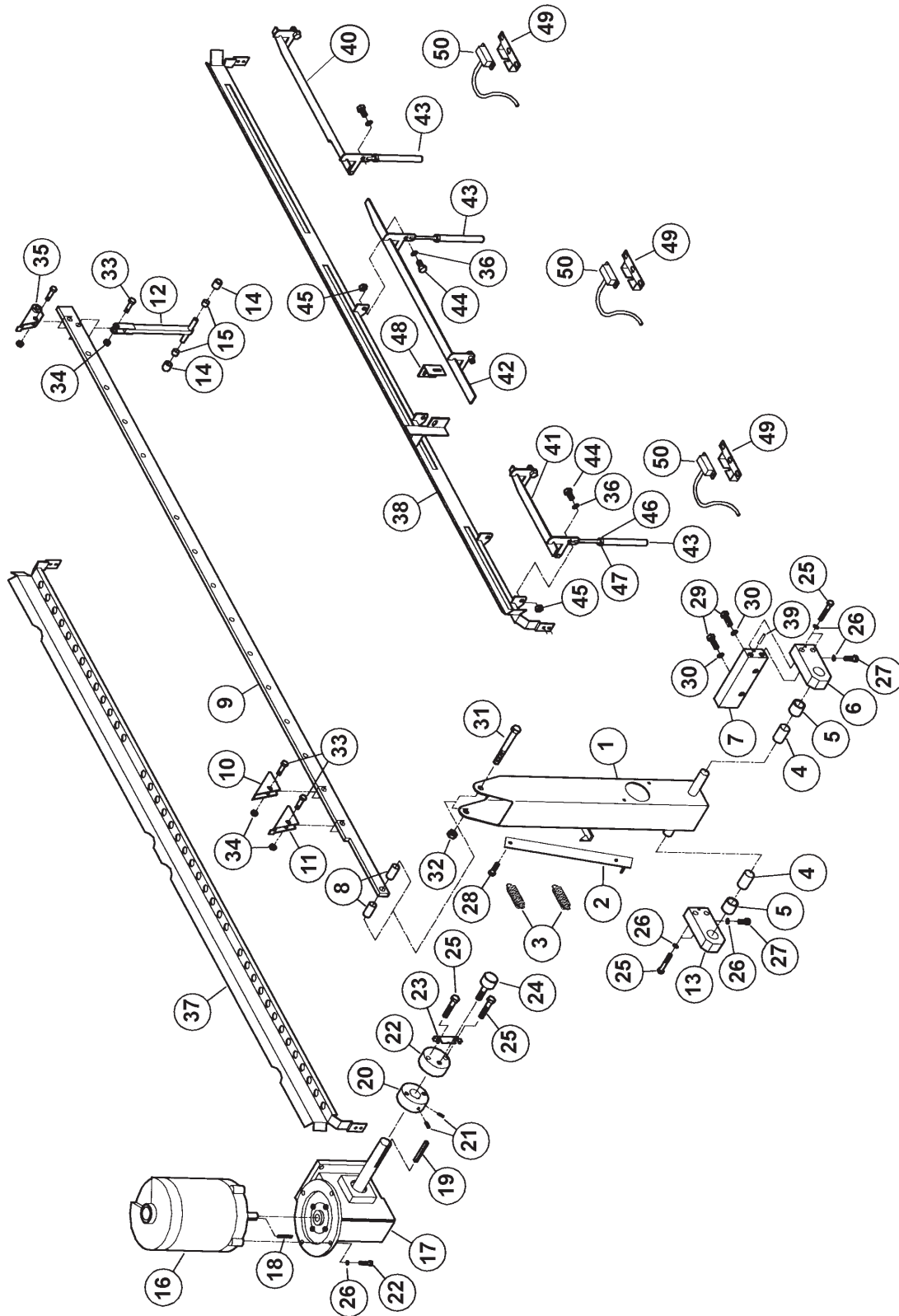


268-1000

Conveyor Drive & Tray Track
Control, ADC-66 L-R

American Dish Service

Ref. No.	Part No.	No. Req.	Description
41	285-6108	1	Tray Track Sequence Bar Weldment, Rinse
42	285-6107	1	Tray Track Sequence Bar Weldment, Wash
43	285-6109	3	Magnet Weldment, Tray Track Sequence Bar
44	098-1428	6	Bolt, ¼-20 x 1 1/8" Lg, HH, SS
45	098-2507	6	Locknut, ¼-20, SS
46	098-2506	3	Lockwasher, 5/16", SS
47	098-2501	3	Locknut, 5/16-18, SS
48	286-6178	4	Bracket, Tray Track, Mount
49	286-6113	4	Bracket, Reed Switch
50	291-3011	3	Switch, Reed
N/S	288-1047	Rep.	Conveyor Drive Motor and Gear Box Assembly
N/S	288-1053	Tool	Tool, Conveyor Clutch Spring

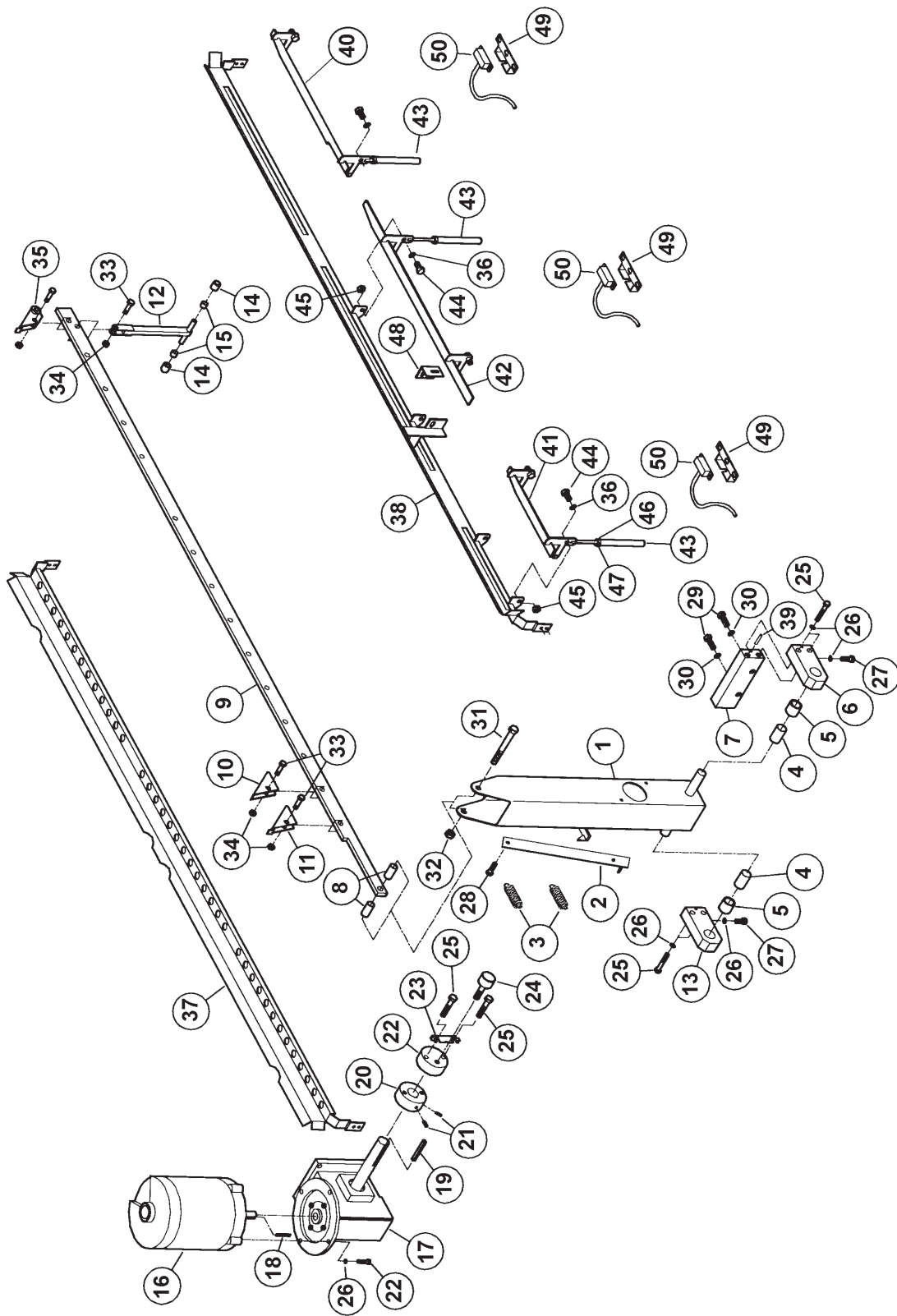


268-1100

Conveyor Drive & Tray Track
Control, ADC-66 R-L

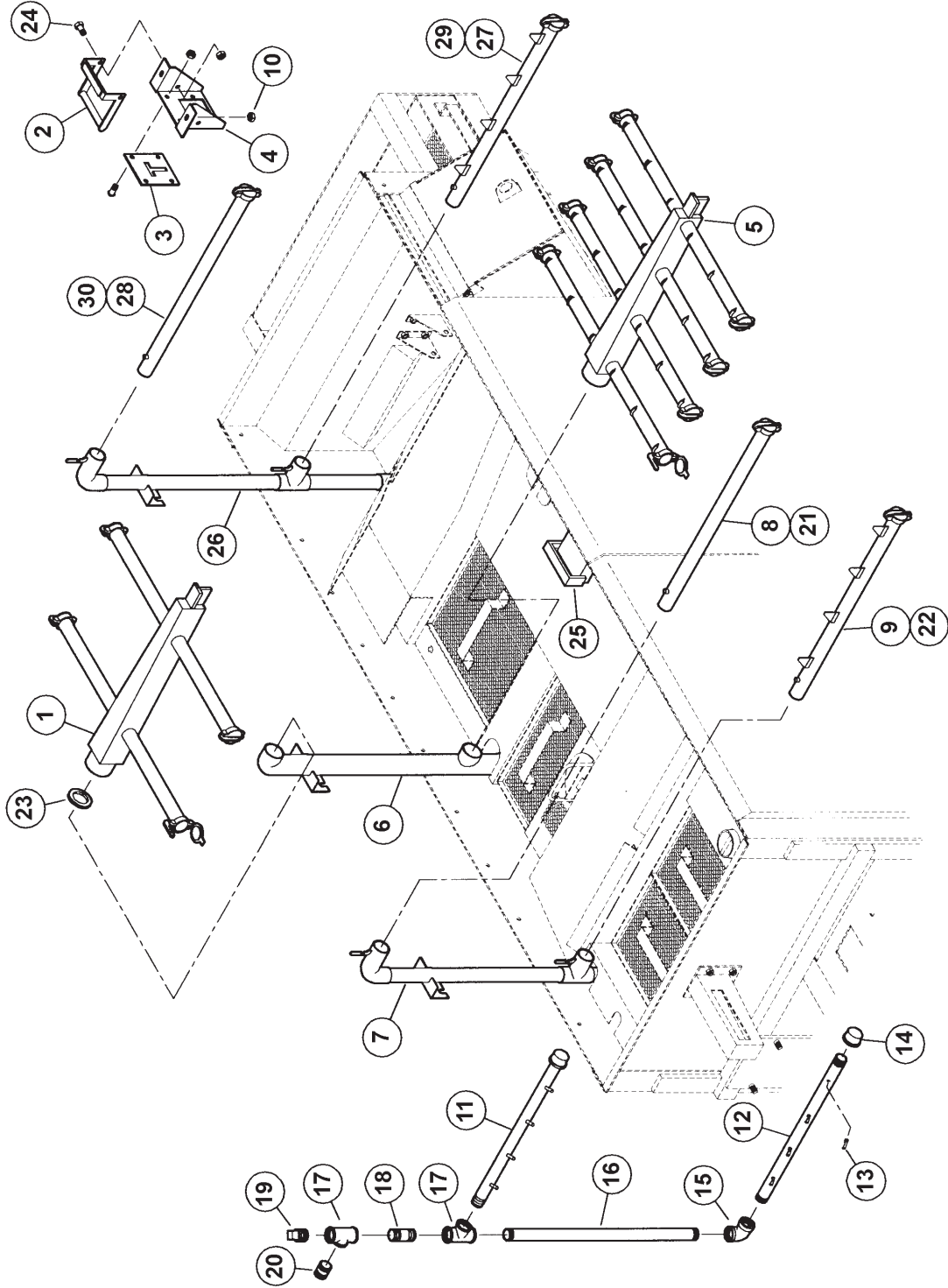
American Dish Service

Ref. No.	Part No.	No. Req.	Description
1	285-6133	1	Rocker Arm Weldment
2	285-6134	2	Slip Clutch Bar Weldment
3	298-3001	2	Spring, Slip Clutch
4	284-6142	2	Spacer, Rocker Arm
5	298-4001	2	Bushing, 1" OD x 3/4" ID x 7/8" Lg
6	284-6141	1	Block, Pillow Bushing, RH
7	284-6139	1	Block, Base, Pillow Bushing
8	284-6149	2	Spacer, Conveyor Connecting Bolt
9	284-6202	1	Bar, Conveyor, ADC-66
10	285-6136	13	Dog Weldment, Conveyor
11	285-6137	2	Exit Dog Weldment, Conveyor
12	285-6135	1	Idler Arm Weldment
13	284-6140	1	Block, Pillow Bushing, LH
14	298-4002	2	Bushing, Idler Arm, 5/8" OD x 3/8" ID x 5/8" Lg
15	284-6143	2	Spacer, Idler Arm, 5/8" OD x 3/8" ID x 3/8" Lg
16	291-1003	1	Motor, 1/3 HP, 3 Ph
17	291-1004	1	Gear Box (53:1)
18	284-6201	1	Key, Conveyor Drive Motor
19	284-6137	1	Key, Cam Block
20	284-6134	1	Cam Block (A), Gear Box Side
21	098-1441	2	Set Screw, 1/4-20 x 1/2" Lg
22	284-6135	1	Cam Block (B), Cam Follower Side
23	286-6189	1	Bolt, Lock, Cam Follower
24	281-6201	1	Bearing, Cam Follower
25	098-1611	6	Bolt, 3/8-16 x 2", HH, SS
26	098-2710	10	Lockwasher, 3/8", SS
27	098-1614	6	Bolt, 3/8" x 1", HH, SS
28	098-1506	2	Bolt, 5/16-18 x 3/4", HH, SS
29	098-1802	2	Bolt, 1/2-13 x 1 1/4", HH, SS
30	098-2802	2	Lockwasher, 1/2", SS
31	098-1801	1	Bolt, 1/2-13 x 4", HH, SS
32	098-2801	1	Locknut, 1/2-13, SS
33	098-1612	17	Bolt, 3/8-16 x 1 1/8" w/ 3/4" Shoulder, HH, SS
34	098-2708	17	Locknut, 3/8-16, SS
35	285-6212	1	Dog Weldment, ADC-66
36	098-2404	18	Washer, 1/4", SS
37	285-6223	1	Tray Track Weldment, ADC-66, R-L, Rear
38	285-6222	1	Tray Track Weldment, ADC-66, R-L, Front
39	098-8009	2	Dowel Pin, 3/16" x 1" Lg, SS
40	285-6213	1	Sequence Bar Weldment, ADC-66, R-L, Pre-Wash



265-0900 L-R Spray System
Assembly
265-1000 R-L Spray System
Assembly(Shown)
ADC-66

American Dish Service



265-0900 L-R Spray System
Assembly

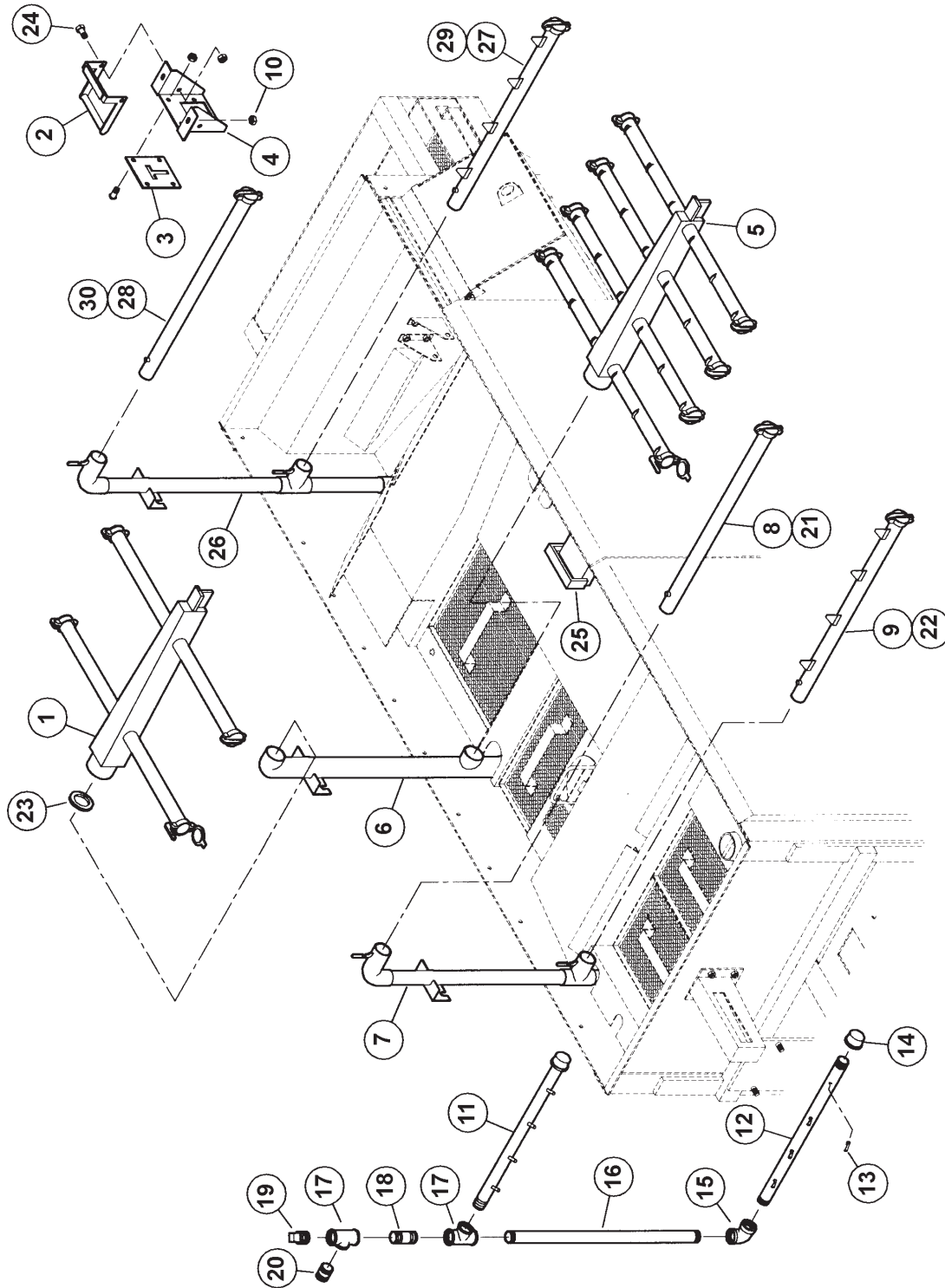
265-1000 R-L Spray System
Assembly(Shown)
ADC-66

American Dish Service

Ref. No.	Part No.	No. Req.	Description
1	285-6159	1	Upper Wash Arm Weldment Assembly
2	285-6129	1	Handle Weldment, Upper Wash Arm Mount
3	285-6128	1	Tee Plate Weldment, Upper Wash Arm
4	286-6177	1	Bracket, Upper Wash Arm Mount
5	285-6156	1	Lower Wash Arm Weldment Assembly
6	285-6155	1	Manifold Weldment, Inside Wash
7	285-6166	1	Manifold Weldment, Inside Pumped Rinse
8	285-6168	1	Spray Arm Weldment, Pumped Rinse, Upper, L-R
9	285-6167	1	Spray Arm Weldment, Pumped Rinse, Lower, L-R
10	098-2507	8	Locknut, ¼-20, SS
N/S	285-6158	14	Spray Arm Endcap Weldment
11A	281-6208	1	Spray Arm, Final Rinse, Upper, L-R, SS Jets
11B	281-6206		Spray Arm, Final Rinse, Upper, L-R, Poly Jets
11C	281-6204		Spray Arm, Final Rinse, Upper, R-L, SS Jets
11D	281-6202		Spray Arm, Final Rinse, Upper, R-L, Poly Jets
11E	285-6142		Spray Arm Weld., Final Rinse, Upper, L-R, Arm Only
11F	285-6140		Spray Arm Weld., Final Rinse, Upper, R-L, Arm Only
12A	281-6209	1	Spray Arm, Final Rinse, Lower, L-R, SS Jets
12B	281-6207		Spray Arm, Final Rinse, Lower, L-R, Poly Jets
12C	281-6205		Spray Arm, Final Rinse, Lower, R-L, SS Jets
12D	281-6203		Spray Arm, Final Rinse, Lower, R-L, Poly Jets
12E	285-6143		Spray Arm Weld., Final Rinse, Lower, L-R, Arm Only
12F	285-6141		Spray Arm Weld., Final Rinse, Lower, R-L, Arm Only
13A	284-6146	8	Jets, Final Rinse Spray Arm, SS
13B	284-6145		Jets, Final Rinse Spray Arm, Poly
14	292-1011	2	Cap, ½" FPT, SS
15	292-1003	1	Fitting, ½" FPT 90° Elbow, SS
16	292-3009	1	Nipple, ½" x 21 ½" Lg, SS
17	292-1002	2	Fitting, ½" x ½" x ½" Tee, SS
18	292-3010	1	Nipple, ½" x 3", SS
19	292-1012	1	Plug, ½" MPT, SS
20	292-3001	1	Nipple, ½" x 1 ½" Lg, SS
21	285-6170		Spray Arm, Pumped Rinse, Upper, R-L
22	285-6169		Spray Arm, Pumped Rinse, Lower, R-L
23	289-6608	2	Gasket, O-Ring, Wash Arm
24	098-1423	2	Bolt, ¼-20 x ½", HH, SS
25	285-6130	1	Handle Weldment, Wash Arm Mount, Lower
26	285-6198	1	Manifold Weldment, Pre-Wash
27	285-6236	1	Spray Arm Weldment R-L, ADC-66, Lower Pre-Wash
28	285-6237	1	Spray Arm Weldment R-L, ADC-66, Upper Pre-Wash

265-0900 L-R Spray System
Assembly
265-1000 R-L Spray System
Assembly(Shown)
ADC-66

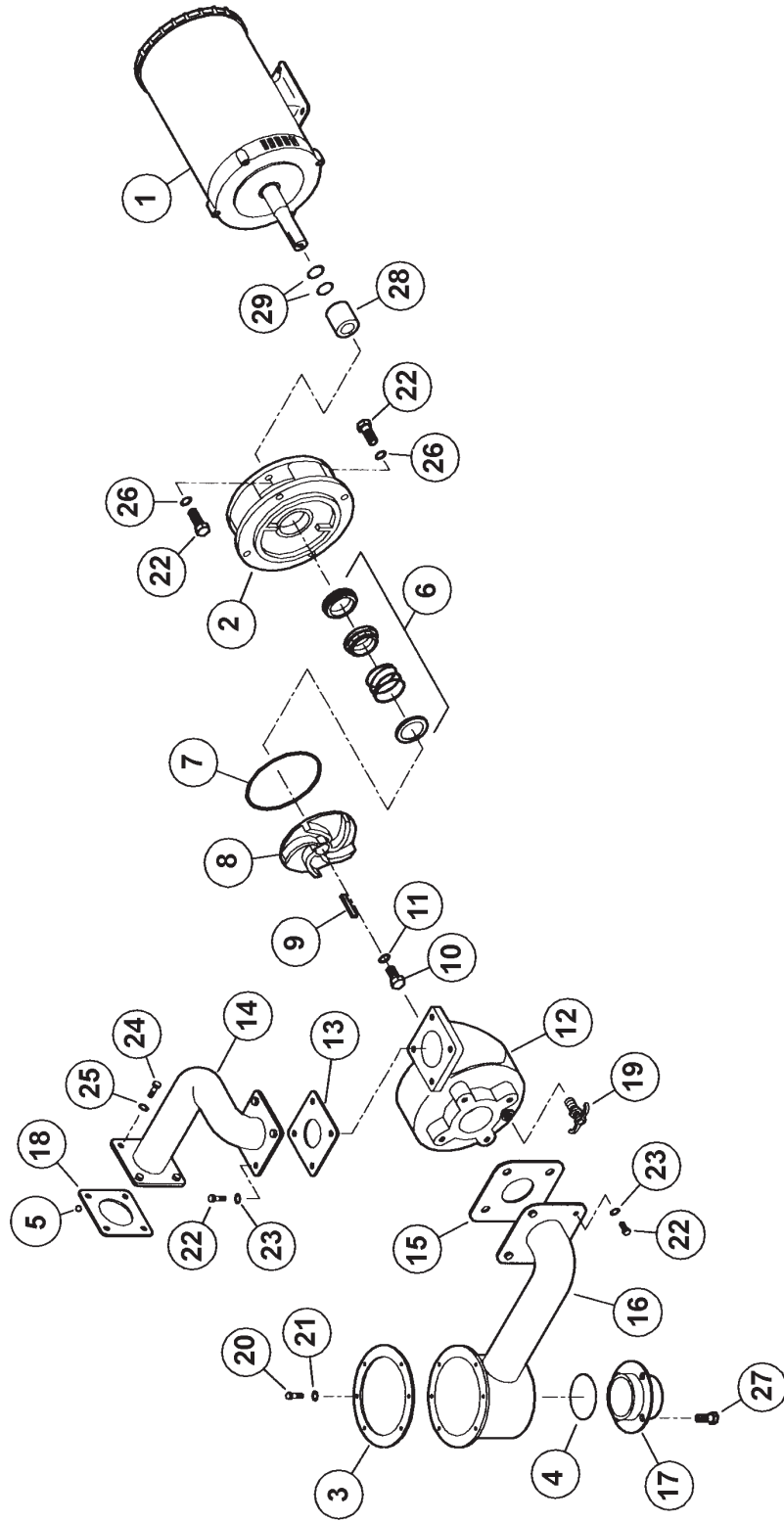
American Dish Service



265-0900 L-R Spray System
Assembly
265-1000 R-L Spray System
Assembly(Shown)
ADC-66

American Dish Service

Ref. No.	Part No.	No. Req.	Description
29	285-6234		Spray Arm Weldment L-R, ADC-66, Lower Pre-Wash
30	285-6235		Spray Arm Weldment L-R, ADC-66, Upper Pre-Wash
N/S	288-1057	Tool	Tool, Spray Arm Pressure Tester, w/Gauge
N/S	288-1055	Tool	Tool, Spray Arm Pressure Tester, w/o Gauge

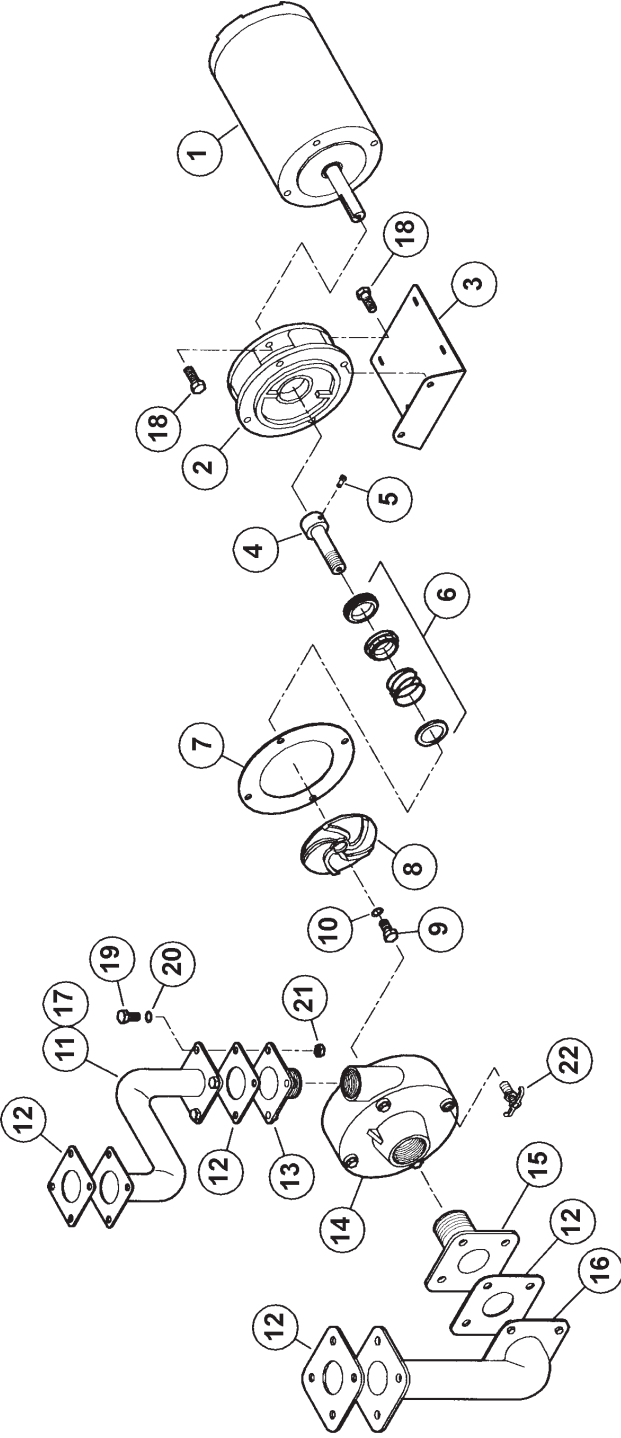


263-0100

Wash Pump Assembly
ADC-66 L-R/R-L

American Dish Service

Ref. No.	Part No.	No. Req.	Description
1	291-1002	1	Motor, 3 HP, 3 Phase, w/Shaft
2	282-6301	1	Rear Housing, Wash Pump
3	089-6601	1	Gasket, Sump
4	289-6606	1	Gasket, O-Ring, Drain Socket Flange
5	098-2510	4	Washer, SS/Rubber
6	292-2001	1	Seal, Wash Pump
7	289-6603	1	Gasket, Wash Pump, O-Ring
8	282-6303	1	Impeller, Wash Pump
9	284-6151	1	Key, Wash Pump, Impeller
10	098-1613	1	Bolt, 3/8-16 x 1" Lg, HH, SS, w/Lock Strip
11	098-2711	1	Washer, 3/8" ID x 1" OD x .103" Thick, SS
12	282-6302	1	Cover, Wash Pump
13	289-6604	1	Gasket, Wash Pump, Discharge Flange
14	285-6153	1	Discharge Tube Weldment, Wash Pump
15	289-6605	1	Gasket, Wash Pump Intake Flange
16	285-6154	1	Intake Tube, Sump Weldment, Wash Pump
17	285-6157	1	Drain Socket Weldment, Wash
18	289-6607	2	Gasket, Wash Tank Flange
19	292-1013	1	Petcock, 1/4" MPT
20	098-1423	6	Bolt, 1/4-20 x 1/2", HH, SS
21	098-2404	6	Washer, 1/4", SS
22	098-1614	16	Bolt, 3/8-16 x 1" Lg, HH, SS
23	098-2711	8	Washer, 3/8" ID x .103 Thick, SS
24	098-1514	4	Bolt, 5/16-18 x 1 1/2", HH, SS
25	098-2509	8	Washer, 5/16", SS
26	098-2710	8	Lockwasher, 3/8", SS
27	098-1502	4	Bolt, 5/16-18 x 1/2", HH, SS
N/S	288-1048	Rep.	Pump Assembly, Less Cover, Wash, 3 HP, 3 Phase



263-0300L-R / 263-0400R-L

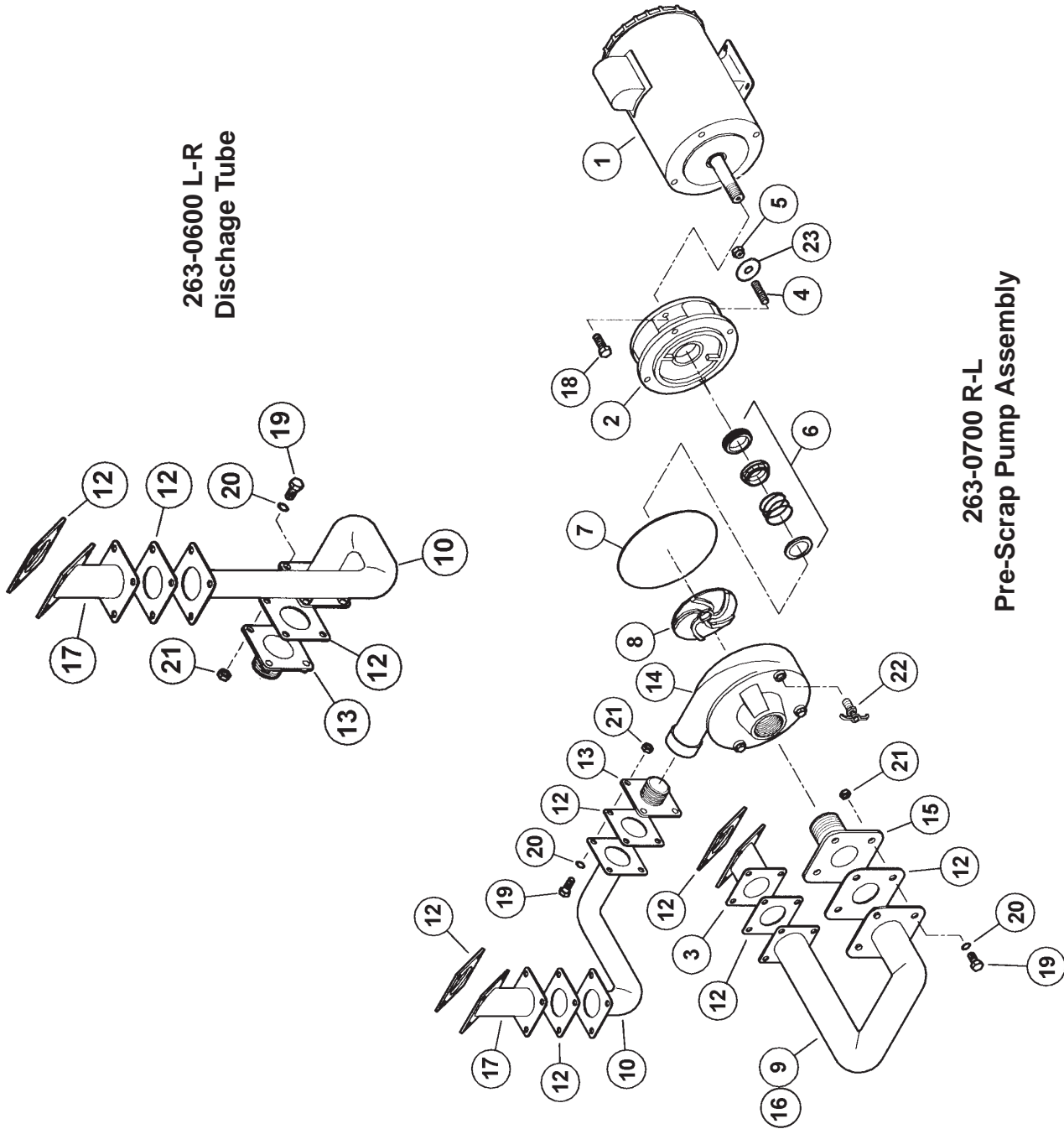
Rinse Pump Assembly
ADC-66

American Dish Service

Ref. No.	Part No.	No. Req.	Description
1	291-1003	1	Motor, 1/3 HP, 3 Phase
2	282-6307	1	Rear Housing, Pumped Rinse
3	286-6250	1	Plate, Pump Rinse Motor Support, w/Pad
4	284-6163	1	Pump Shaft, Pumped Rinse
5	098-1442	2	Set Screw, 1/4-20 x 3/8" Lg
6	292-2002	1	Seal, Pumped Rinse Pump
7	289-6609	1	Gasket, Pumped Rinse Pump
8	282-6308	1	Impeller, Pumped Rinse Pump
9	098-1443	1	Bolt, 1/4-28 x 3/8" Lg, HH, SS
10	098-2413	1	Washer, .285 ID x .625 OD x .086 Thick, SS
11	285-6164	1	Discharge Tube Weldment, L-R
12	289-6610	4	Gasket, Flange, Pumped Rinse Pump
13	285-6165	1	Discharge Flange Assembly Weldment
14	282-6306	1	Cover, Pumped Rinse Pump
15	285-6161	1	Intake Flange Weldment Assembly
16	285-6160	1	Intake Tube Weldment
17	285-6163	1	Discharge Tube Weldment, R-L
18	098-1607	8	Bolt, 3/8-16 x 7/8", HH, SS
19	098-1426	16	Bolt, 1/4-20 x 3/4", HH, SS
20	098-2404	32	Washer, 1/4", SS
21	098-2507	16	Locknut, 1/4-20, SS
22	092-1002	1	Petcock, 1/8" MPT
N/S	288-1040	Rep.	Kit, Rinse Pump Seal
N/S	288-1049	Rep.	Pump Assembly, Less Cover, Rinse, 1/3 HP, 3 Phase
N/S	288-1050	Rep.	Pump Assembly, Less Flanges, Rinse, 1/3 HP, 3 Phase

263-0600 L-R Pre-Wash Pump
 Assembly
 263-0700 R-L Pre-Wash Pump
 Assembly
 ADC-66

American Dish Service



263-0600 L-R
 Discharge Tube

263-0700 R-L
 Pre-Scrap Pump Assembly

263-0600 L-R Pre-Wash Pump

Assembly

263-0700 R-L Pre-Wash Pump

Assembly

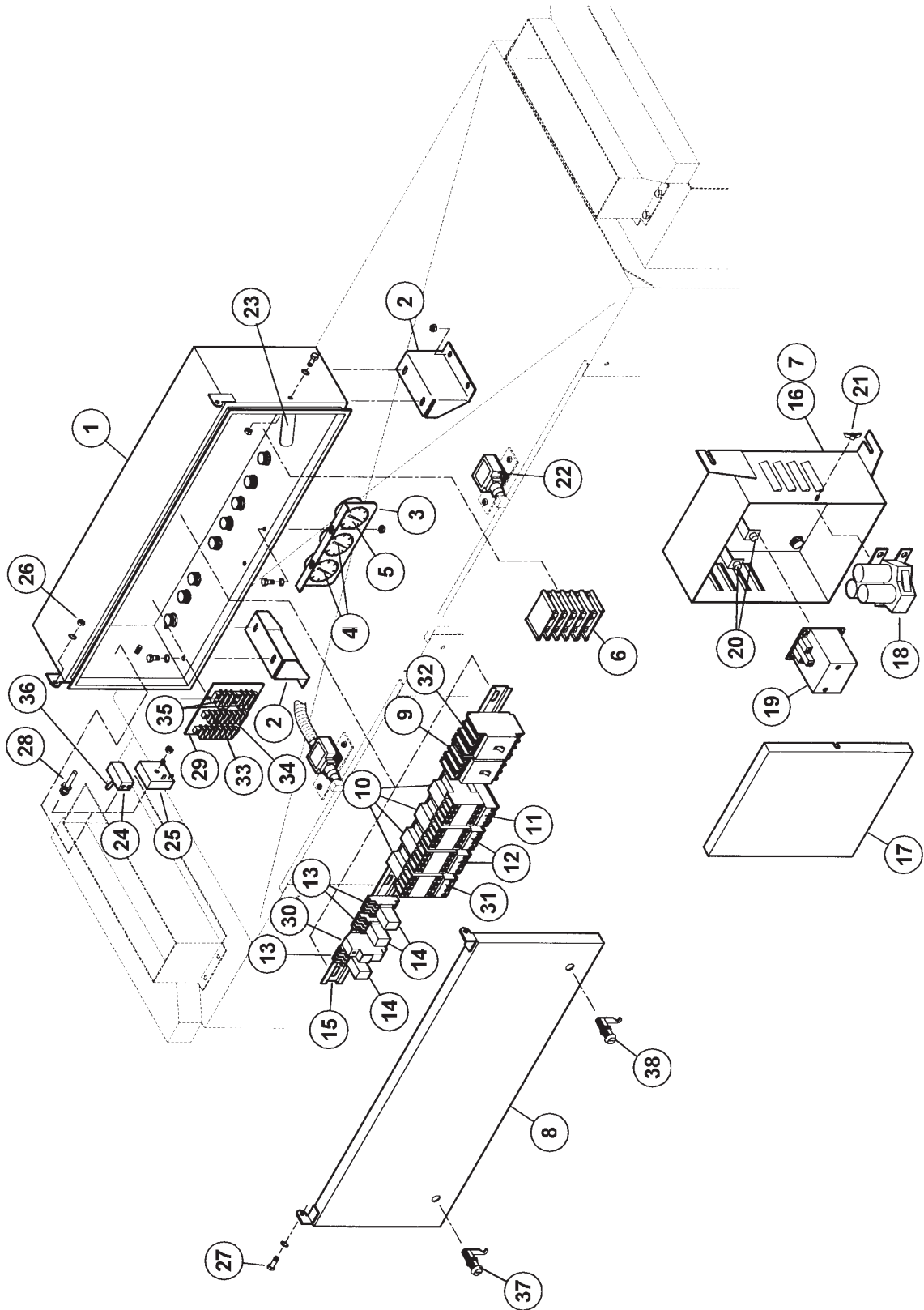
ADC-66

American Dish Service

Ref. No.	Part No.	No. Req.	Description
1	291-1009	1	Motor, 1 1/2 HP, 1 Phase, ADC-66
2	082-6301	1	Rear Housing, Pre-Wash
3	285-6229	1	Suction Tube Extension Weldment, Pre-Wash
4	098-1512	4	Stud, 5/16-18 x 1 5/8", SS
5	098-2502	4	Nut, 5/16-18, SS
6	092-2001	1	Seal, Pre-Wash Pump
7	089-6309	1	O-Ring, Pump
8	082-6306	1	Impeller
9	285-6241	1	Suction Tube Weldment, Pre-Wash, R-L
10	285-6204	1	Discharge Tube Weldment, Pre-Wash, L-R
11	285-6226	1	Discharge Tube Weldment, Pre-Wash, R-L
12	289-6610	6	Gasket, Flange, Pre-Wash Pump Flange
13	285-6165	1	Discharge Flange Assembly Weldment
14	082-6307	1	Cover, Pre-Wash Pump
15	285-6161	1	Intake Flange Weldment
16	285-6192	1	Suction Tube Weldment, Pre-Wash, L-R
17	285-6230	1	Discharge Tube Extension Weldment, Pre-Wash
18	098-1607	4	Bolt, 3/8-16 x 7/8", HH, SS
19	098-1426	24	Bolt, 1/4-20 x 3/4", HH, SS
20	098-2404	48	Washer, 1/4", SS
21	098-2507	24	Locknut, 1/4-20, SS
22	092-1002	1	Petcock, 1/8"
23	098-2503	4	Washer, 5/16", Copper

264-0500 L-R
Control System Assembly
264-0600 R-L
Control System Assembly
ADC-66

American Dish Service



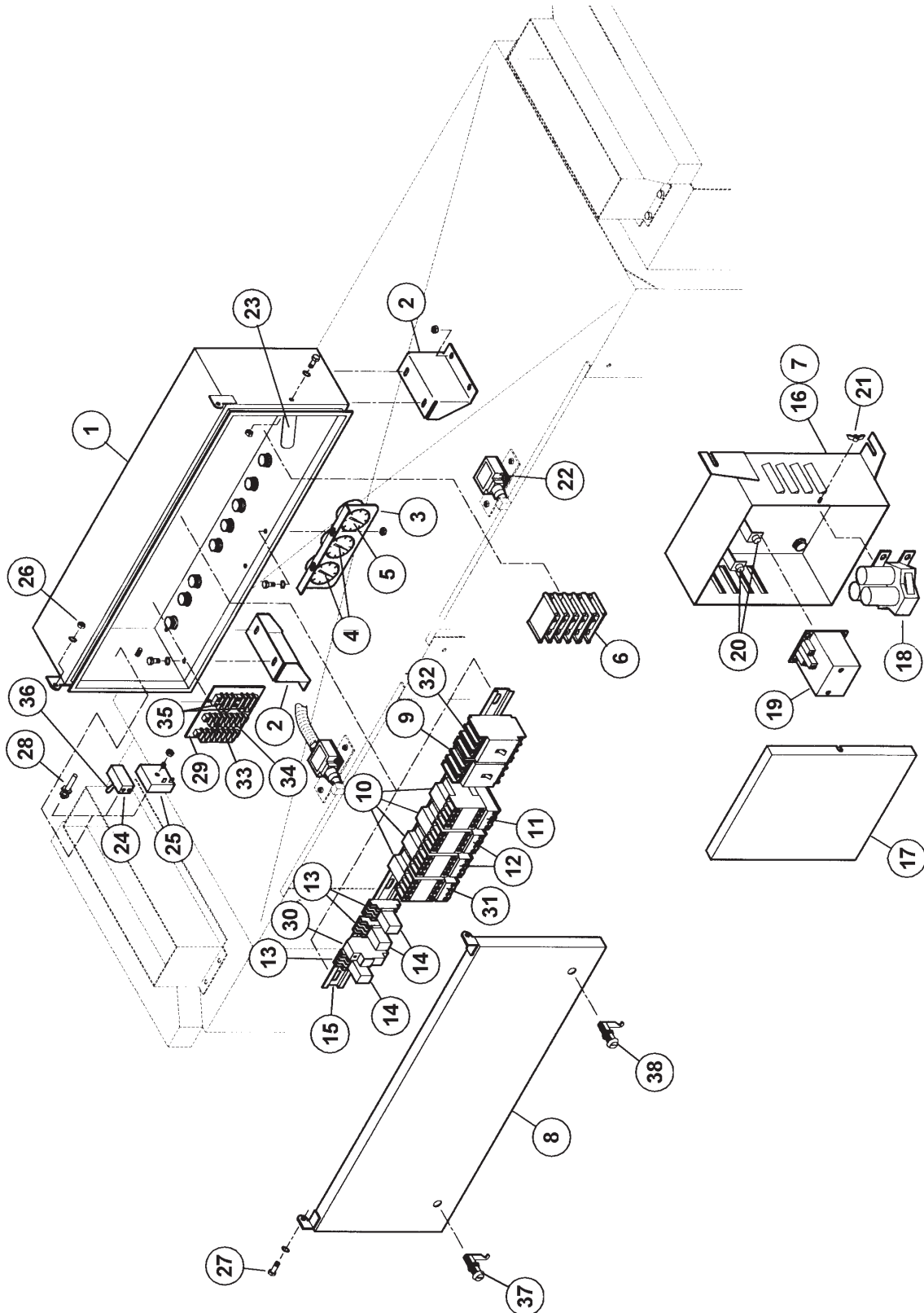
264-0500 L-R
Control System Assembly
264-0600 R-L
Control System Assembly
ADC-66

American Dish Service

Ref. No.	Part No.	No. Req.	Description
1	285-6231	1	Control Box Weldment
2	286-6111	2	Control Box Mounts
3	286-6180	1	Bracket, Temperature Gauge
4	299-1005	2	Temperature Gauge, Wash and Rinse Tank
5	299-1004	1	Temperature Gauge, Final Rinse
6	391-5101	1	Terminal Block
7	285-6240	1	Power Box Weldment, R-L
8	285-6102	1	Cover Weldment, Control Box
9	291-3020	1	Circuit Breaker, 60 Amp, 3 Pole
10	291-3001	4	Contactors
11	291-3002	1	Overload, 3 HP, 3 Phase
12	291-3003	2	Overload, 1/3 HP, 3 Phase
13	291-3009	3	Socket, Relay
14	291-3005	3	Relay, 110V, DPDT
15	291-9107	1	Din Rail, 22" Lg
16	285-6239	1	Power Box Weldment, L-R
17	287-6104	1	Cover, Power Box
18	291-3006	1	Relay, Mercury, 50 Amp, Wash Heater
19	291-3007	1	Relay, Mercury, 30 Amp, Rinse Heater
20	091-7006	2	Light, Heater
21	098-2308	2	Wingnut, 1/4-20, SS
22	099-4502	2	Switch, Door Cut-Off
23	284-6101	1	Bar, Control Box Safety
24	091-3008	1	Switch, Master
25	291-3008	1	Relay, Time Delay, 6 Second
26	098-2507	13	Locknut, 1/4-20, SS
27	098-1423	2	Bolt, 1/4-20 x 1/2", HH, SS
28	291-7101	1	Light, Indicator
29	286-6107	1	Terminal Block Plate
30	391-9101	1	Fuse Holder
31	291-3023	1	Overload, 1 1/2 HP
32	291-3021	1	Circuit Breaker, 20 Amp, 3 Pole
33	091-5010	1	Terminal Block, 110V
34	291-5106	1	Terminal Block, 110V
35	291-5104	2	Terminal Lock, Chemical Dispenser, 2 Pole
36	291-9105	1	Boot, Master Switch Cover
37	096-1002	1	Control Box Lock
38	096-1008	1	Control Box Dummy Lock
N/S	291-3011	3	Switch, Reed
N/S	291-3022	1	Switch, ADC-66 Pre-Wash, Reed (Normally Open)

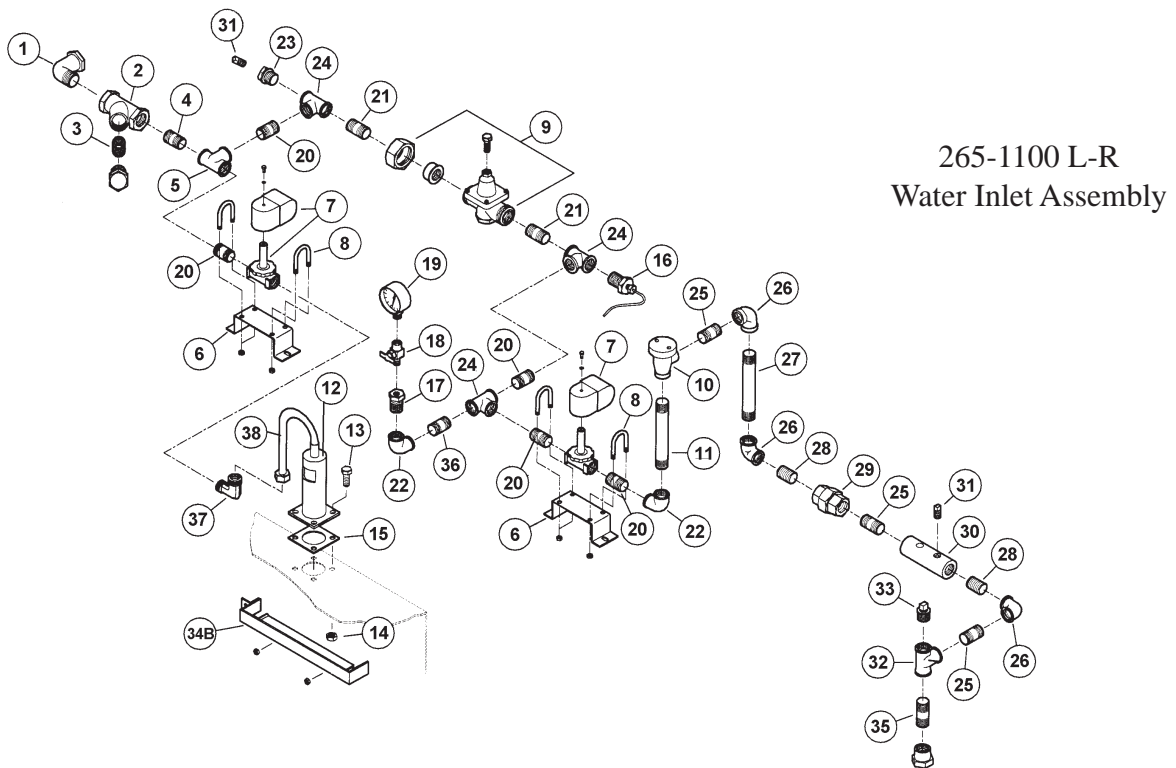
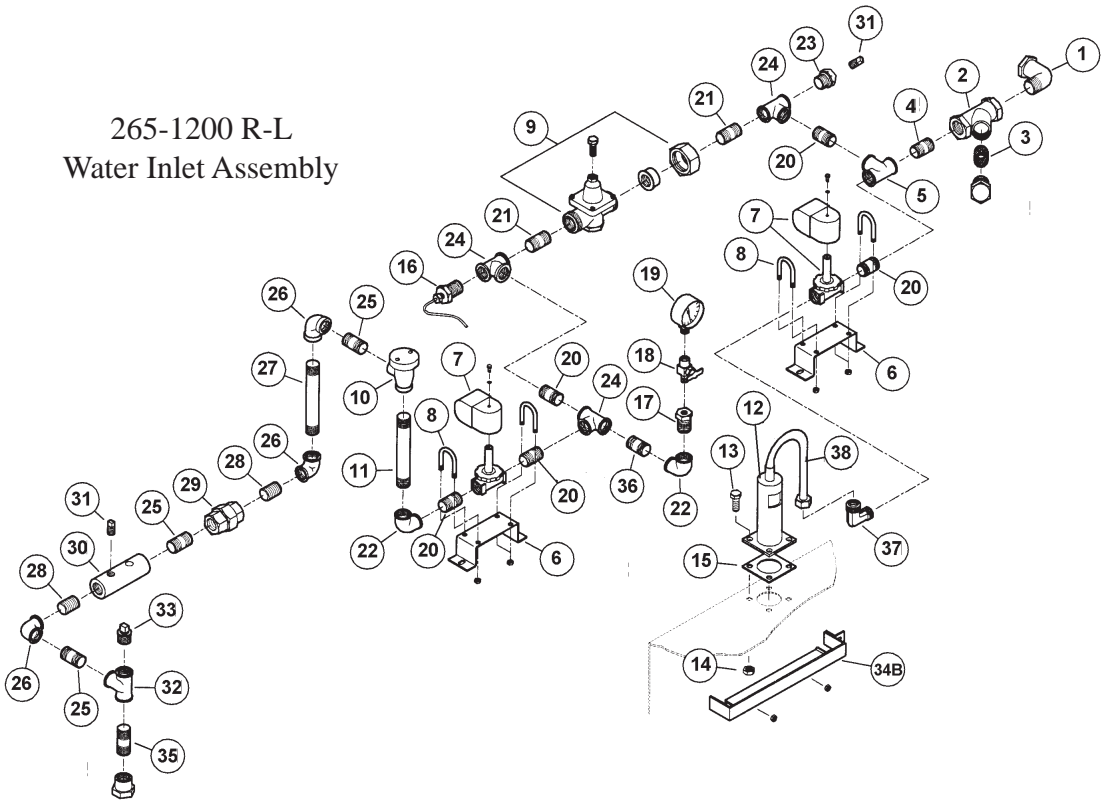
264-0500 L-R
Control System Assembly
264-0600 R-L
Control System Assembly
ADC-66

American Dish Service



265-1100 L-R Water Inlet
Assembly ADC-66
265-1200 R-L Water Inlet
Assembly ADC-66

American Dish Service



265-1100 L-R Water Inlet
 Assembly ADC-66
 265-1200 R-L Water Inlet
 Assembly ADC-66

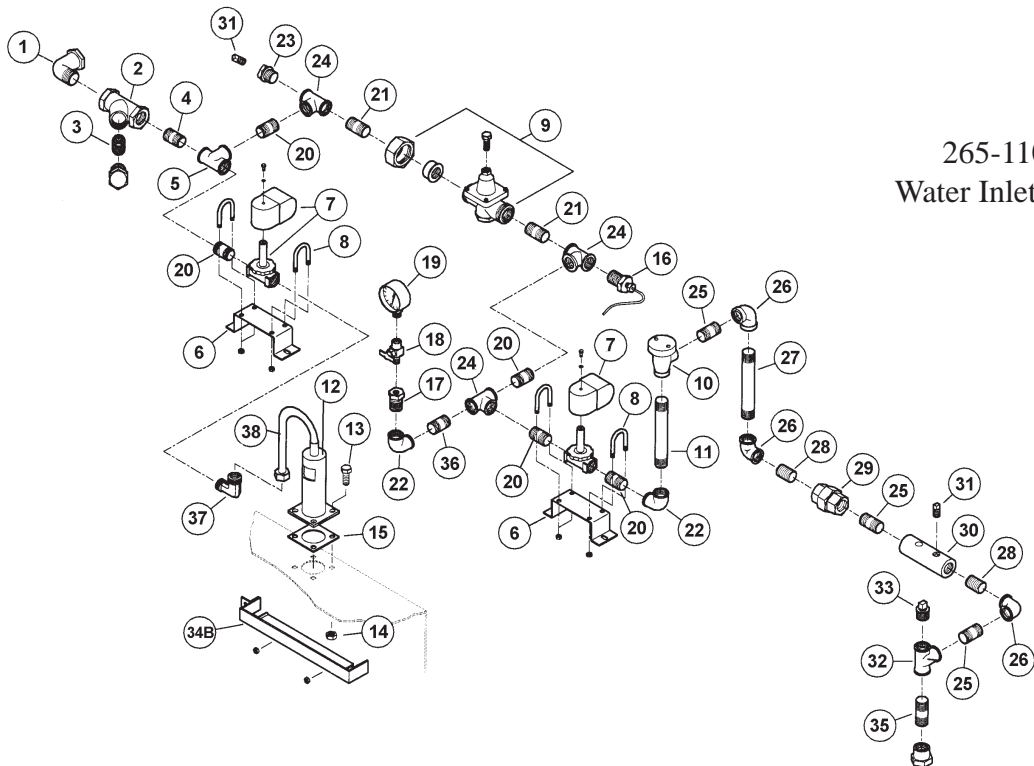
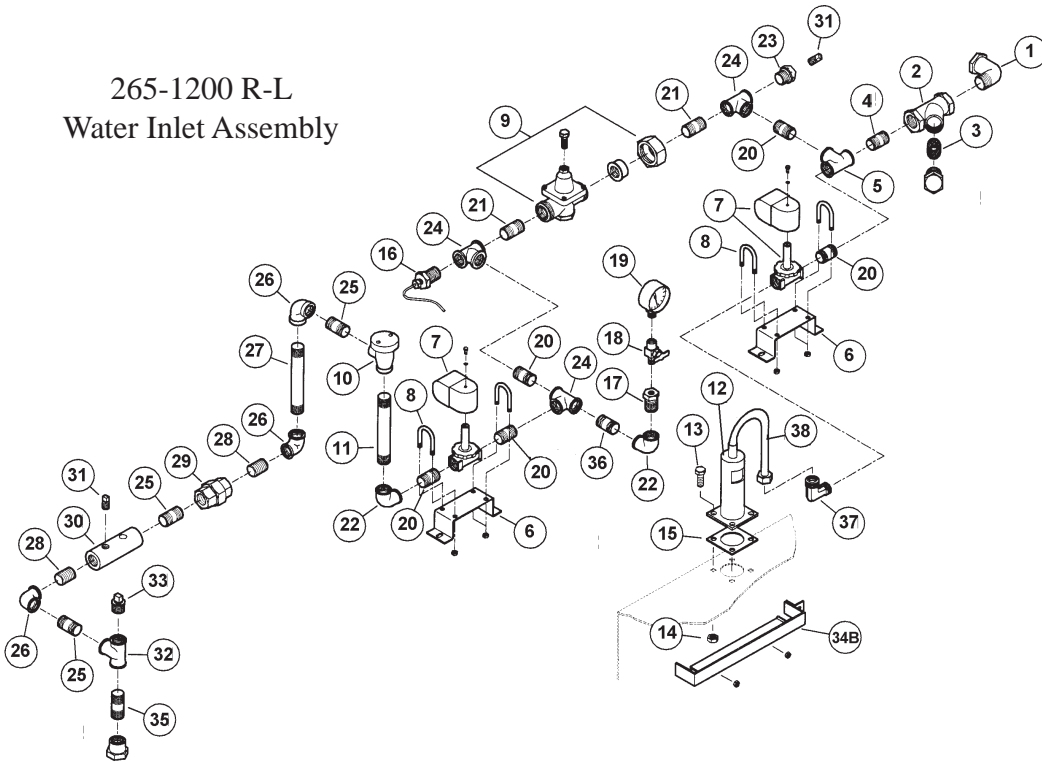
American Dish Service

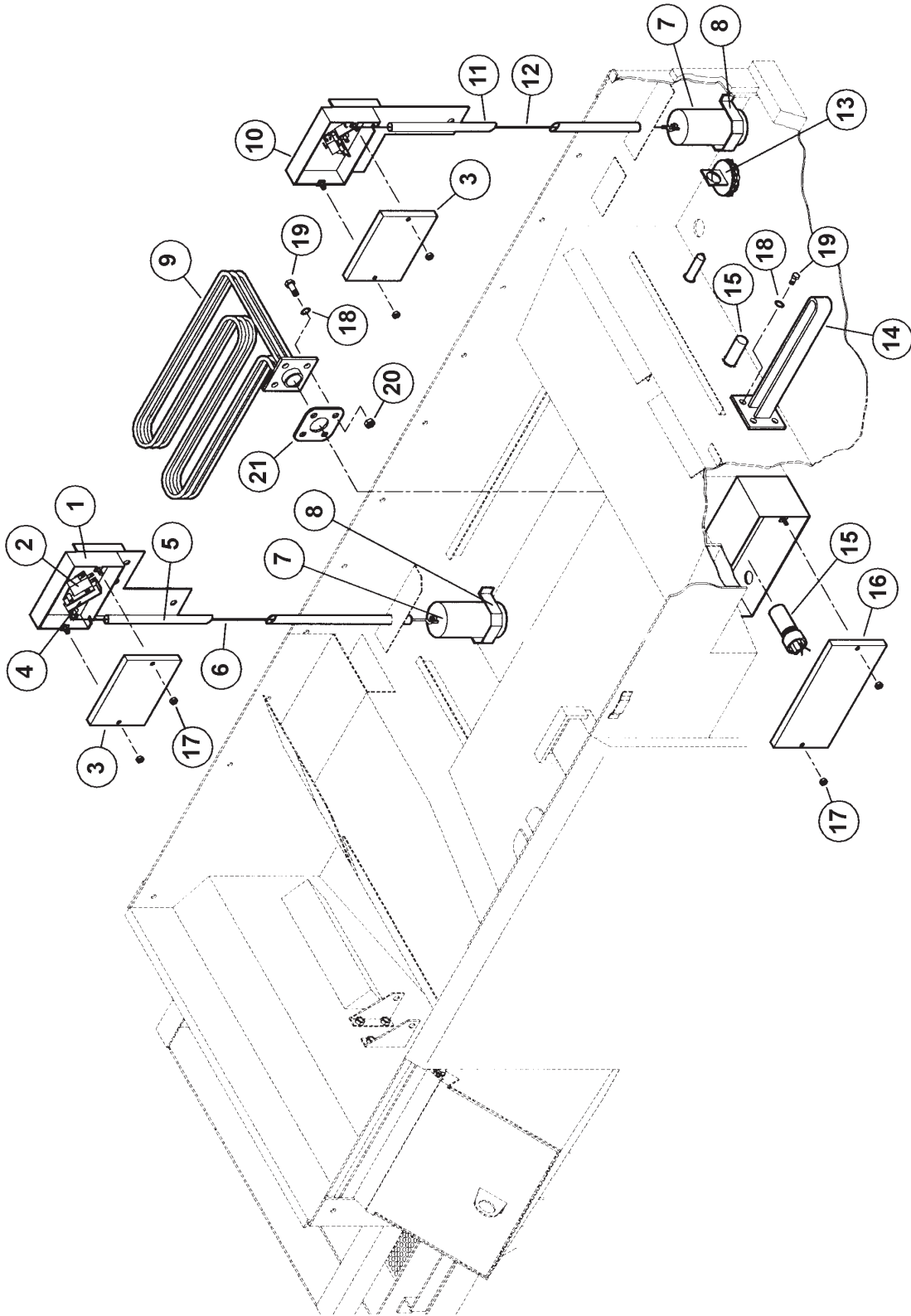
Ref. No.	Part No.	No. Req.	Description
1	092-1074	1	Fitting, 3/4" Street Elbow, 90°
2	092-9006	1	Y-Line Strainer, 3/4"
3	092-9008	Rep.	Screen, Line Strainer, 3/4" (Repair Part)
4	092-1073	1	Nipple, 3/4" Close, Brass
5	092-1107	1	Fitting, Tee, 3/4" x 1/2" x 1/2", Brass
6	286-6191	2	Bracket, Plumbing
7	092-5015	2	Valve, Water Solenoid
8	098-9027	4	U-Bolt, 1/4-20, SS
9	292-5001	1	Pressure Regulator, 1/2"
10	092-5045	1	Vacuum Breaker, 1/2"
11	292-3007	1	Nipple, 1/2" x 6", Brass
12	285-6219	1	Air Gap Weldment
13	098-1423	4	Bolt, 1/4-20x 1/2", HH, SS
14	098-2507	4	Locknut, 1/4-20, SS
15	389-6603	1	Gasket, Air Gap
16	299-1004	1	Temperature Gauge, Final Rinse
17	292-1005	1	Reducer Bushing, 1/2" MPT x 1/4" FPT, Brass
18	292-5002	1	Service Cock
19	299-1003	1	Pressure Gauge
20	292-3002	5	Nipple, 1/2" x 1 1/2" Lg, Brass
21	292-3004	2	Nipple, 1/2" x 2" Lg, Brass
22	292-1014	2	Fitting, 1/2" Elbow, 90°, Brass
23	292-1007	1	Reducer Bushing, 1/2" MPT x 1/8" FPT Brass
24	292-1001	3	Fitting, Tee, 1/2" FPT x 1/2" FPT x 1/2" FPT, Brass
25	292-3001	3	Nipple, 1/2" x 1 1/2" Lg, SS
26	292-1003	3	Fitting, Elbow, 1/2" FPT, SS
27	292-3008	1	Nipple, 1/2" x 6" Lg, SS
28	292-3003	2	Nipple, 1/2" x Close, SS
29	292-1004	1	Union, 1/2", SS
30	284-6148	1	Mixing Chamber, SS
N/S	284-6147	Opt.	Mixing Chamber, Polymer
31	292-1008	2	Pipe Plug, 1/8" MPT, SS
32	292-1002	1	Fitting, Tee, 1/2" FPT x 1/2" FPT, 1/2" FPT, SS
33	292-1012	1	Pipe Plug, 1/2" MPT, SS
34A	285-6147	1	Inlet Water Duct Weldment, L-R
34B	285-6127	1	Inlet Water Duct Weldment, R-L
35	292-3010	1	Nipple, 1/2" x 3" Lg, SS
36	392-3001	1	Nipple, 1/2" x 4 1/2" Lg, Brass
37	092-1068	1	Fitting, 1/2" Comp x 1/2" MPT, 90° Elbow
38	292-3013	1	Fresh Water Supply Tube, 1/2" OD x 14 1/2" Lg, SS

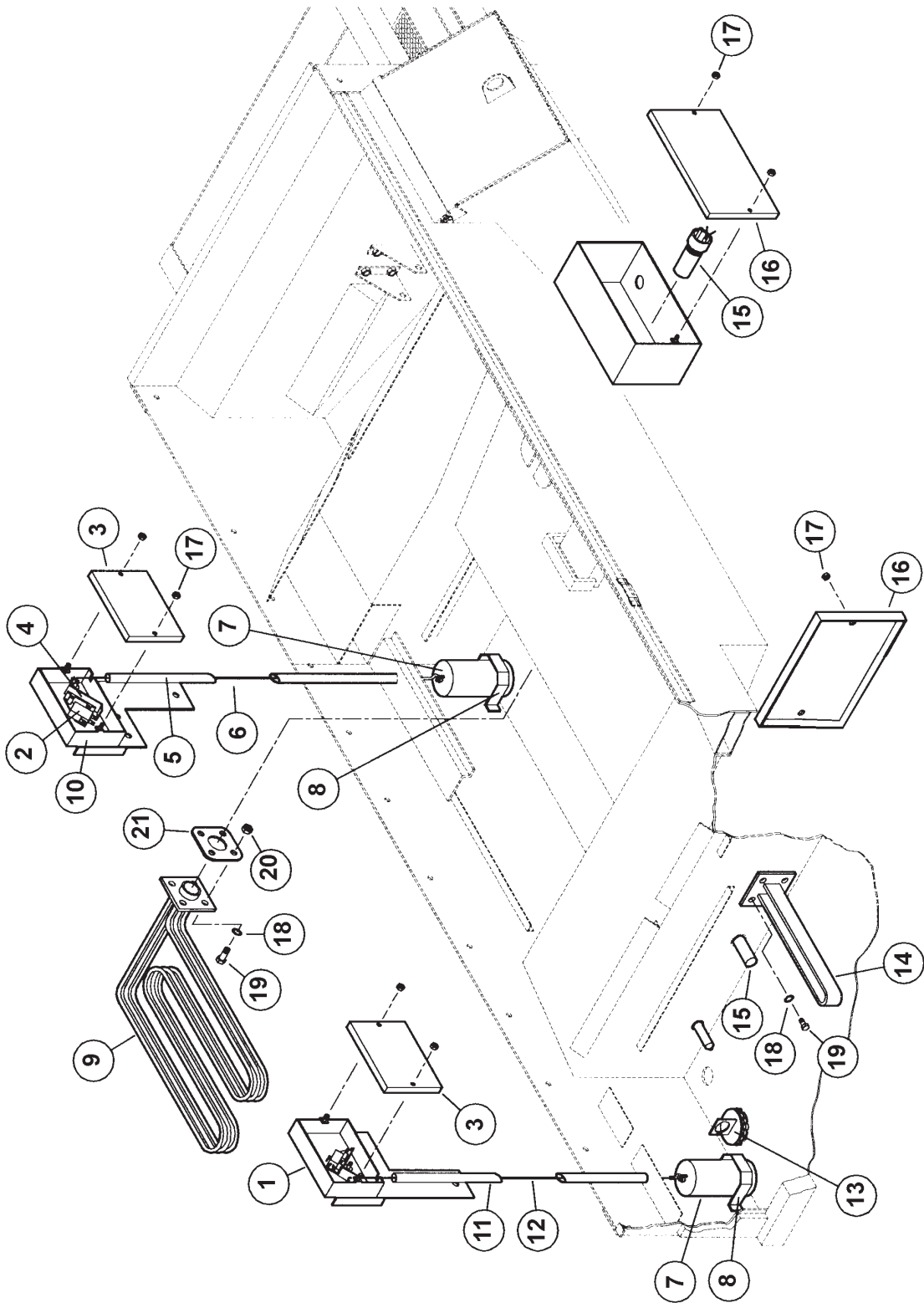
265-1100 L-R Water Inlet
Assembly ADC-66
265-1200 R-L Water Inlet

American Dish Service

Assembly ADC-66



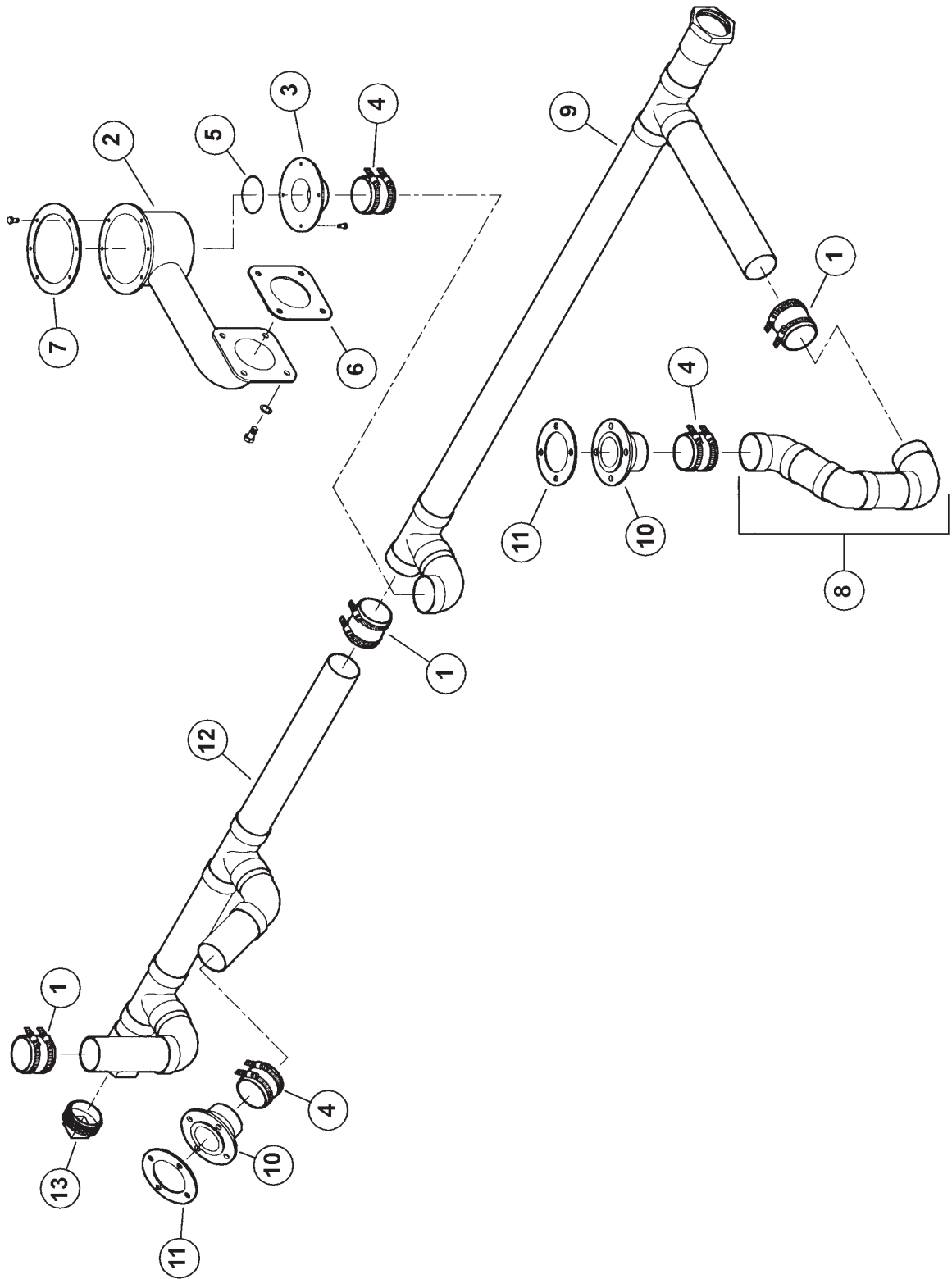




268-1300 R-L
 Heater & Water Level Control
 ADC-66

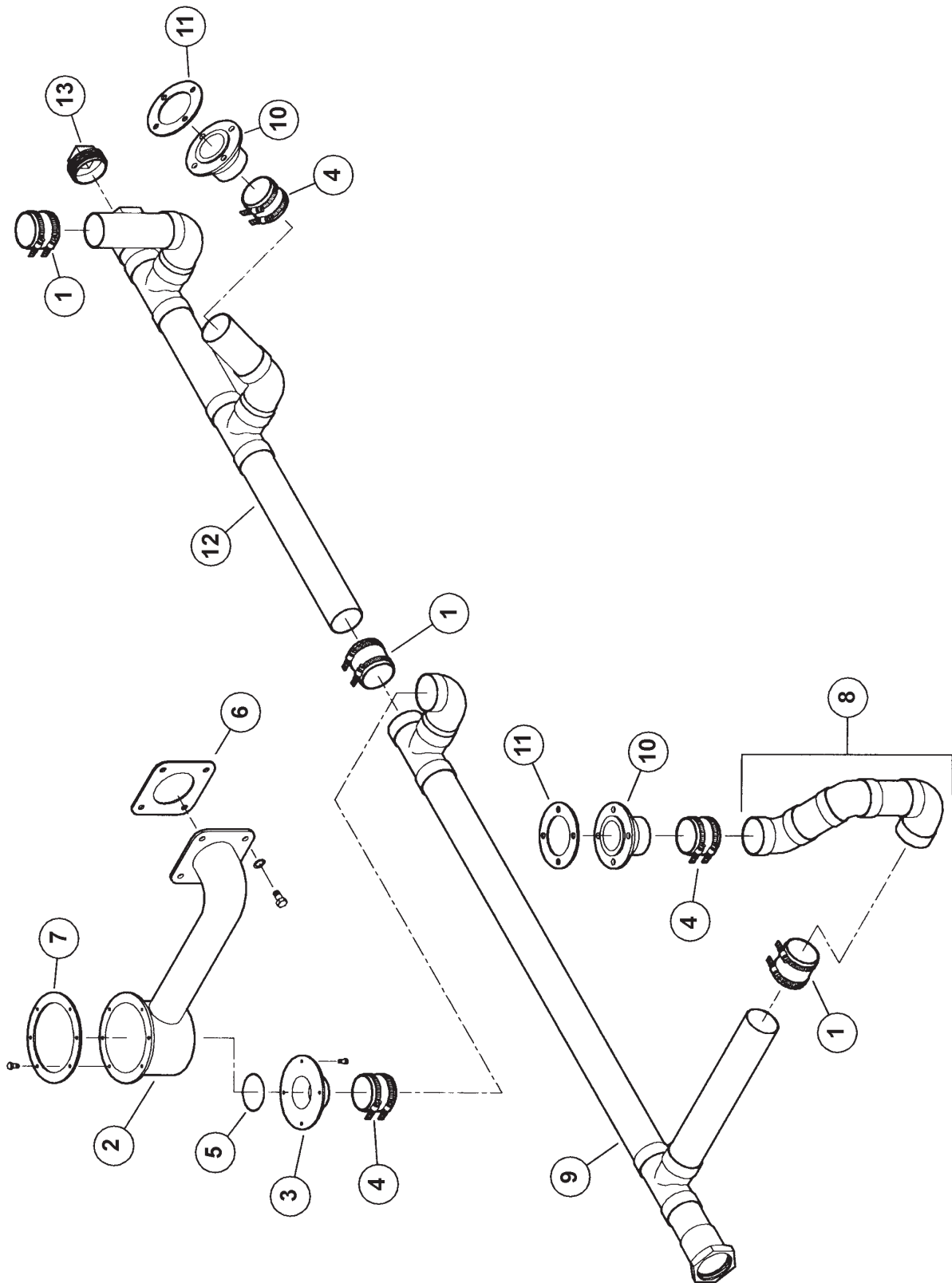
American Dish Service

Ref. No.	Part No.	No. Req.	Description
1	285-6177	1	Float Box Weldment, LH
2	291-3014	2	Float Switch w/Holder and Button
2A	291-3013	Rep.	Float Switch Only
2B	291-9109	Rep.	Float Switch Holder
2C	291-9110	Rep.	Button, Float Switch Holder
3	286-6246	2	Float Box Cover
4	285-6179	2	Float Switch Flipper Weldment
5	285-6148	1	Float Rod Tube Weldment, Wash, R-L
6	286-6248	1	Float Rod, Wash
7	285-6176	2	Float Weldment
8	286-6199	2	Bracket, Float Retainer
9	291-9007	1	Heater, Wash, 18 KW
10	285-6178	1	Float Box Weldment, RH
11	285-6149	1	Float Rod Tube Weldment, Rinse, R-L
12	286-6249	1	Float Rod, Rinse
13	285-6162	1	Filter Weldment, Pumped Rinse Pump
14	291-9003	1	Heater, Rinse, 2.25 KW, 3 Phase
15	291-3012	2	Thermostat
16	286-6175	2	Heater Box Cover
17	098-2201	8	Locknut, 8-32, SS
18	098-2510	16	Washer, 5/16", SS/Neobond
19	098-1516	8	Bolt, 5/16-18 x 1", HH, SS
20	098-2501	8	Locknut, 5/16-18, SS
21	289-6613	2	Gasket, Heater
N/S	286-6231	2	Flange, Heater Sandwich (1 1/2" Hole)
N/S	286-6241	4	Washer, Float Switch Rod, 3/4" OD x 1/8" ID, SS



266-0800 R-L
Drain System Assembly
ADC-66

American Dish Service



266-0800 R-L

Drain System Assembly ADC-66

American Dish Service

Ref. No.	Part No.	No. Req.	Description
1	292-1029	3	No-Hub Connector, Fitting to Pipe
2	285-6154	1	Intake Tube/Sump Weldment, Wash
3	285-6157	1	Drain Socket Weldment, Wash
4	292-1028	3	No-Hub Connector, Pipe to Pipe
5	289-6606	1	Gasket, O-Ring, Drain Socket Flange
6	289-6605	1	Gasket, Wash Pump Intake Flange
7	089-6601	1	Gasket, Sump
8	285-6210	1	2" Copper Drain Weldment, Rinse, R-L
9	285-6206	1	2" Copper Drain Weldment, Wash, R-L
10	285-6175	2	Rinse, Pre-Wash, Drain Socket Weldment
11	289-6612	2	Gasket, Rinse, Pre-Wash Drain Socket Flange
12	285-6208	1	2" Copper Drain Weldment, Pre-Wash, R-L
13	092-1084	1	Plug, Pipe, 2"

American Dish Service

*Manufacturer of low and high temperature
Commercial Dishwashers and Glasswashers*

900 Blake Street
Edwardsville, Kansas 66111
Ph:(913) 422-3700
Fax:(913) 422-6630